

**EDI-Recommendations
of GS1 Germany
for the
Healthcare Sector
Version 1.1**

Despatch Advice
(DESADV)

EANCOM® 2002 Syntax 3

Introduction.....	2
Business Terms	4
Branching Diagram	9
Message structure	20
Segment Layout.....	23
Used Codes.....	101
Example.....	163

Introduction

The aim of the brochure on hand is to offer documentation describing the exchange of purchase order data between business partners.

The basis of this elaboration is the international standard EANCOM® 2002. The message type DESADV 007 is used to transmit relevant data. GEFEG.FX (Gefeg mbH, Berlin) was used as the documentation tool.

Please be aware to know that this booklet does not replace the complete specifications in the original chapters or other relevant instructions within the EANCOM® 2002 documentation. Instead, it deals with the description of segments, data elements and codes to be used for a specific task.

The current documentation has been produced by the GS1 Germany GmbH in Cologne. GS1 Germany assumes no liability for any damages incurring from the use of this documentation. This brochure or extracts thereof may only be published or forwarded to third parties with the express written consent of GS1 Germany, which holds copyright on this work.

Important note:

To fulfill the requirements of directive 2003/58/EG, article 4, C058 has been opened in NAD segments identifying a message sender. If the place in the 5 DE 3124 is not sufficient, the following RFF segments can be used, qualified with DE 1153 = GN. DE 1154 has got a capacity of 70 digits. Only in those cases, when no RFF segment follows NAD, a RFF+GN can be used in the heading section of the message. Within the EDI recommendations of GS1 Germany this is only applicable for the messages REMADV and SLSFCT.

This brochure offers different ways to start:

"Introduction" contains a short description of the respective message.

"Business Terms", is a table which links directly to the sequence numbers of the segments.

"Diagram", is a hierarchical graphic depiction of all used segments in the same sequence as they are defined in the EANCOM® message. However, every segment is shown only once, and it is therefore possible that the sequence numbering is interrupted.

"Structure", is a list of all used segments in the same sequence as they are defined in the EANCOM® message. In general, for each piece of information one single segment is provided. Exeptions may arrise when the the occurence of a segment is limited and can contain alternative information (e.g., segment BGM).

"Segmentlayout", an illustration that has been chosen to match the business terms (data from the inhouse application) with the elements from the EANCOM® syntax.

"Codes" contains a list of the codes used in the message.

"Examples", provides at least one message example with comments. Please note that, for technical reasons, the examples can contain component data element separators, which would otherwise be represented as data element separators in the original messages.

"Print" opens the PDF documentation for the corresponding message.

The following conventions apply to this brochure:

Introduction

Message structure

Heading section

Specification of buyer and supplier, message date and number.

Detail section

Specification of SSCC to identify shipments and quantity.

Summary section

Specification of totals of the message.

Business Terms

Business Term	EANCOM-Segment		Data Element	
	Seg.-No.	Segment SG	DEG	DE
Acknowledgement request	2	UNB		0031
Address for reverse routing	2	UNB	S002	0008
Application reference	2	UNB		0026
Authorized Party	14	CTA SG2#3\SG4#1	C056	3413
Authorized Person	14	CTA SG2#3\SG4#1	C056	3412
Batch number	44	PIA SG10#3\SG17#1	C212	7140
Buyer's article number	43	PIA SG10#3\SG17#1	C212	7140
Buyer's article number	61	PIA SG10#3\SG17#5	C212	7140
Buyer's article number	68	PIA SG10#3\SG17#6	C212	7140
Buyers article number	56	PIA SG10#3\SG17#4	C212	7140
Buyers order number	7	RFF SG1#1	C506	1154
Case number	48	RFF SG10#3\SG17#1\SG18#1	C506	1156
Character set	2	UNB	S001	0001
Component data element separator	1	UNA		UNA1
Country of receiver, coded	13	NAD SG2#3		3207
Country of the buyer/invoicee, coded	10	NAD SG2#1		3207
Country of the buyer/invoicee, coded	12	NAD SG2#2		3207
Country of the Supplier, coded	16	NAD SG2#4		3207
Creation date	5	DTM	C507	2380
Data element separator	1	UNA		UNA2
Decimal notation	1	UNA		UNA3
Delivery note	9	RFF SG1#3	C506	1154
Despatch date	6	DTM	C507	2380
Document Number	4	BGM	C106	1004
EANCOM	2	UNB		0032
End of the transmission file	73	UNZ		0036
Expiry date	46	DTM SG10#3\SG17#1	C507	2380
File creation date	2	UNB	S004	0017
File creation time	2	UNB	S004	0019
GLN of the receiver of goods/ services	13	NAD SG2#3	C082	3039
Gross weight of a package	24	MEA SG10#2\SG11#1	C174	6314
Gross weight of a package (despatch units / articles)	33	MEA SG10#3\SG11#1	C174	6314
Gross weight of the consignment	19	MEA SG10#1\SG11#1	C174	6314
Gross weight of the consignment	36	MEA SG10#3\SG11#1	C174	6314

Business Terms

Business Term	EANCOM-Segment		Data Element	
	Seg.-No.	Segment SG	DEG	DE
GTIN	39 LIN	SG10#3\SG17#1	C212	7140
GTIN	64 LIN	SG10#3\SG17#6	C212	7140
Handling instructions	27 HAN	SG10#2\SG11#1\SG12#1	C524	4079
Height of package	26 MEA	SG10#2\SG11#1	C174	6314
Height of package (despatch units / articles)	35 MEA	SG10#3\SG11#1	C174	6314
HIBC	42 PIA	SG10#3\SG17#1	C212	7140
HIBC	62 PIA	SG10#3\SG17#5	C212	7140
HIBC	67 PIA	SG10#3\SG17#6	C212	7140
Hierarchy level	21 CPS	SG10#2		7166
Hierarchy level (despatch units / articles)	30 CPS	SG10#3		7166
Identification of buyer/invoicee	10 NAD	SG2#1	C082	3039
Identification of invoicee	12 NAD	SG2#2	C082	3039
Identification of the receiver of the transmission file	2 UNB		S003	0010
Identification of the sender of the transmission file	2 UNB		S002	0004
Interchange control reference, beginnig	2 UNB			0020
Interchange control reference, end	73 UNZ			0020
Line item amount	47 MOA	SG10#3\SG17#1	C516	5004
Line item amount	70 MOA	SG10#3\SG17#6	C516	5004
Line item number	39 LIN	SG10#3\SG17#1		1082
Line item number	49 LIN	SG10#3\SG17#2		1082
Line item number	52 LIN	SG10#3\SG17#3		1082
Line item number	55 LIN	SG10#3\SG17#4		1082
Line item number	58 LIN	SG10#3\SG17#5		1082
Line item number	64 LIN	SG10#3\SG17#6		1082
Marking with SSCC (despatch units / articles)	37 PCI	SG10#3\SG11#1\SG13#1		4233
Marking with SSCC (despatch units)	28 PCI	SG10#2\SG11#1\SG13#1		4233
Message reference number	3 UNH			0062

Business Terms

Business Term	EANCOM-Segment		Data Element	
	Seg.-No.	Segment SG	DEG	DE
Name 1 of the buyer/invoicee	10	NAD SG2#1	C080	3036
Name 1 of the buyer/invoicee	12	NAD SG2#2	C080	3036
Name 1 of the receiver	13	NAD SG2#3	C080	3036
Name 1 of the Supplier	16	NAD SG2#4	C080	3036
Name 2 of the buyer/invoicee	10	NAD SG2#1	C080	3036
Name 2 of the buyer/invoicee	12	NAD SG2#2	C080	3036
Name 2 of the receiver	13	NAD SG2#3	C080	3036
Name 2 of the Supplier	16	NAD SG2#4	C080	3036
Name 3 of the buyer/invoicee	10	NAD SG2#1	C080	3036
Name 3 of the buyer/invoicee	12	NAD SG2#2	C080	3036
Name 3 of the receiver	13	NAD SG2#3	C080	3036
Name 3 of the Supplier	16	NAD SG2#4	C080	3036
Name 4 of the buyer/invoicee	10	NAD SG2#1	C080	3036
Name 4 of the Supplier	16	NAD SG2#4	C080	3036
Name 5 of the buyer/invoicee	10	NAD SG2#1	C080	3036
Name 5 of the Supplier	16	NAD SG2#4	C080	3036
Number of layers (sandwich pallet)	23	MEA SG10#2\SG11#1	C174	6314
Number of layers (sandwich pallet)	32	MEA SG10#3\SG11#1	C174	6314
Number of messages or message groups	73	UNZ		0036
Number of packages (Consignment)	18	PAC SG10#1\SG11#1		7224
Number of packages (despatch units / articles)	31	PAC SG10#3\SG11#1		7224
Number of packages (despatch units)	22	PAC SG10#2\SG11#1		7224
Ordering person	11	CTA SG2#1\SG4#1	C056	3412
Password interchange	2	UNB	S005	0022
Patient ID (Line)	48	RFF SG10#3\SG17#1\SG18#1	C506	1154
Pharma Zentral Nummer (central allocated article number for pharma products)	40	PIA SG10#3\SG17#1	C212	7140
Pharma Zentral Nummer (central allocated article number for pharma products)	65	PIA SG10#3\SG17#6	C212	7140
Pharmazentralnummer PZN (central allocated article number for pharma products)	50	PIA SG10#3\SG17#2	C212	7140
Pharmazentralnummer PZN (central allocated article number for pharma products)	59	PIA SG10#3\SG17#5	C212	7140
Place of receiver - name of a city (town, village) for addressing purposes.	13	NAD SG2#3		3164

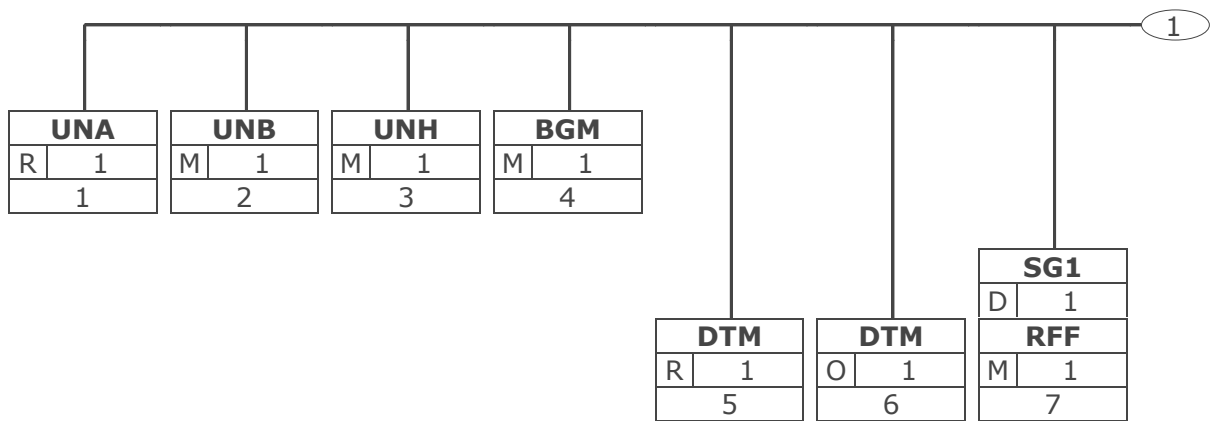
Business Terms

Business Term	EANCOM-Segment		Data Element	
	Seg.-No.	Segment SG	DEG	DE
Place of the buyer/invoicee - name of a city (town, village) for addressing purposes.	10	NAD SG2#1		3164
Place of the buyer/invoicee - name of a city (town, village) for addressing purposes.	12	NAD SG2#2		3164
Place of the Supplier - name of a city (town, village) for addressing purposes.	16	NAD SG2#4		3164
Postcode of receiver	13	NAD SG2#3		3251
Postcode of the buyer/invoicee	10	NAD SG2#1		3251
Postcode of the buyer/invoicee	12	NAD SG2#2		3251
Postcode of the Supplier	16	NAD SG2#4		3251
Purchasing contact department	11	CTA SG2#1\SG4#1	C056	3413
Quantity	45	QTY SG10#3\SG17#1	C186	6060
Quantity	51	QTY SG10#3\SG17#2	C186	6060
Quantity	54	QTY SG10#3\SG17#3	C186	6060
Quantity	57	QTY SG10#3\SG17#4	C186	6060
Quantity	63	QTY SG10#3\SG17#5	C186	6060
Quantity	69	QTY SG10#3\SG17#6	C186	6060
Quantity difference	71	QVR SG10#3\SG17#6\SG25#1	C279	6064
Release character	1	UNA		UNA4
Reserved for future use	1	UNA		UNA5
Responsible Party	15	CTA SG2#3\SG4#2	C056	3413
Responsible Person	15	CTA SG2#3\SG4#2	C056	3412
Routing address	2	UNB	S003	0014
Segment terminator	1	UNA		UNA6
Sequence of packages within the consignment	17	CPS SG10#1		7164
Sequence of the packages (despatch units / articles)	30	CPS SG10#3		7164
Sequence of the packages (despatch units)	21	CPS SG10#2		7164
Serial Shipping Container Code (SSCC at article)	38	GIN SG10#3\SG11#1\SG13#1\SG15#1	C208	7402
Serial Shipping Container Code (SSCC)	29	GIN SG10#2\SG11#1\SG13#1\SG15#1	C208	7402
Street and number of receiver	13	NAD SG2#3	C059	3042
Street and number of the buyer/invoicee	12	NAD SG2#2	C059	3042

Business Terms

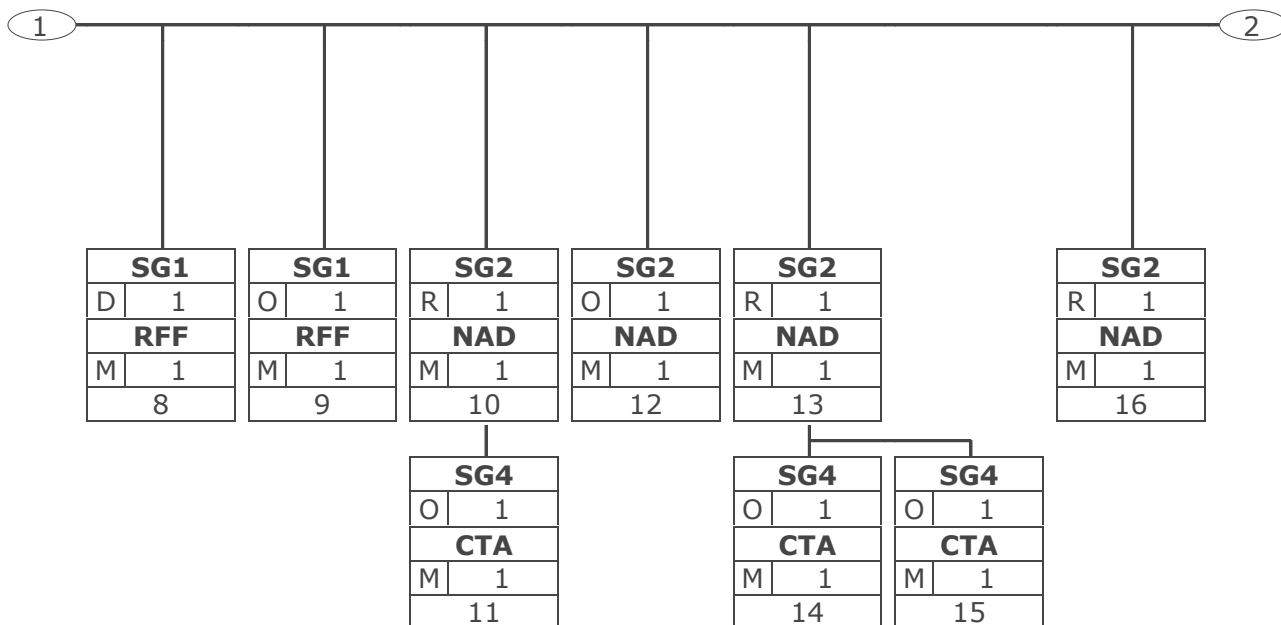
Business Term	EANCOM-Segment		Data Element	
	Seg.-No.	Segment SG	DEG	DE
Street1 and number of the buyer/invoicee	10	NAD SG2#1	C059	3042
Street1 and number of the Supplier	16	NAD SG2#4	C059	3042
Street2 and number of the buyer/invoicee	10	NAD SG2#1	C059	3042
Street2 and number of the Supplier	16	NAD SG2#4	C059	3042
Street3 and number of the buyer/invoicee	10	NAD SG2#1	C059	3042
Street3 and number of the Supplier	16	NAD SG2#4	C059	3042
Street4 and number of the buyer/invoicee	10	NAD SG2#1	C059	3042
Street4 and number of the Supplier	16	NAD SG2#4	C059	3042
Supplier's article number	41	PIA SG10#3\SG17#1	C212	7140
Supplier/issuer of invoice identification	16	NAD SG2#4	C082	3039
Suppliers article number	53	PIA SG10#3\SG17#3	C212	7140
Suppliers article number	60	PIA SG10#3\SG17#5	C212	7140
Suppliers article number	66	PIA SG10#3\SG17#6	C212	7140
Suppliers order number	8	RFF SG1#2	C506	1154
Syntax version	2	UNB	S001	0002
Test indicator	2	UNB		0035
Total number of segments	72	UNT		0074
Total volume of the consignment	20	MEA SG10#1\SG11#1	C174	6314
Unit of measurement	45	QTY SG10#3\SG17#1	C186	6411
Unit of measurement	51	QTY SG10#3\SG17#2	C186	6411
Unit of measurement	54	QTY SG10#3\SG17#3	C186	6411
Unit of measurement	57	QTY SG10#3\SG17#4	C186	6411
Unit of measurement	63	QTY SG10#3\SG17#5	C186	6411
Unit of measurement	69	QTY SG10#3\SG17#6	C186	6411
Volume of package	25	MEA SG10#2\SG11#1	C174	6314
Volume of package (despatch units / articles)	34	MEA SG10#3\SG11#1	C174	6314

Branching Diagram



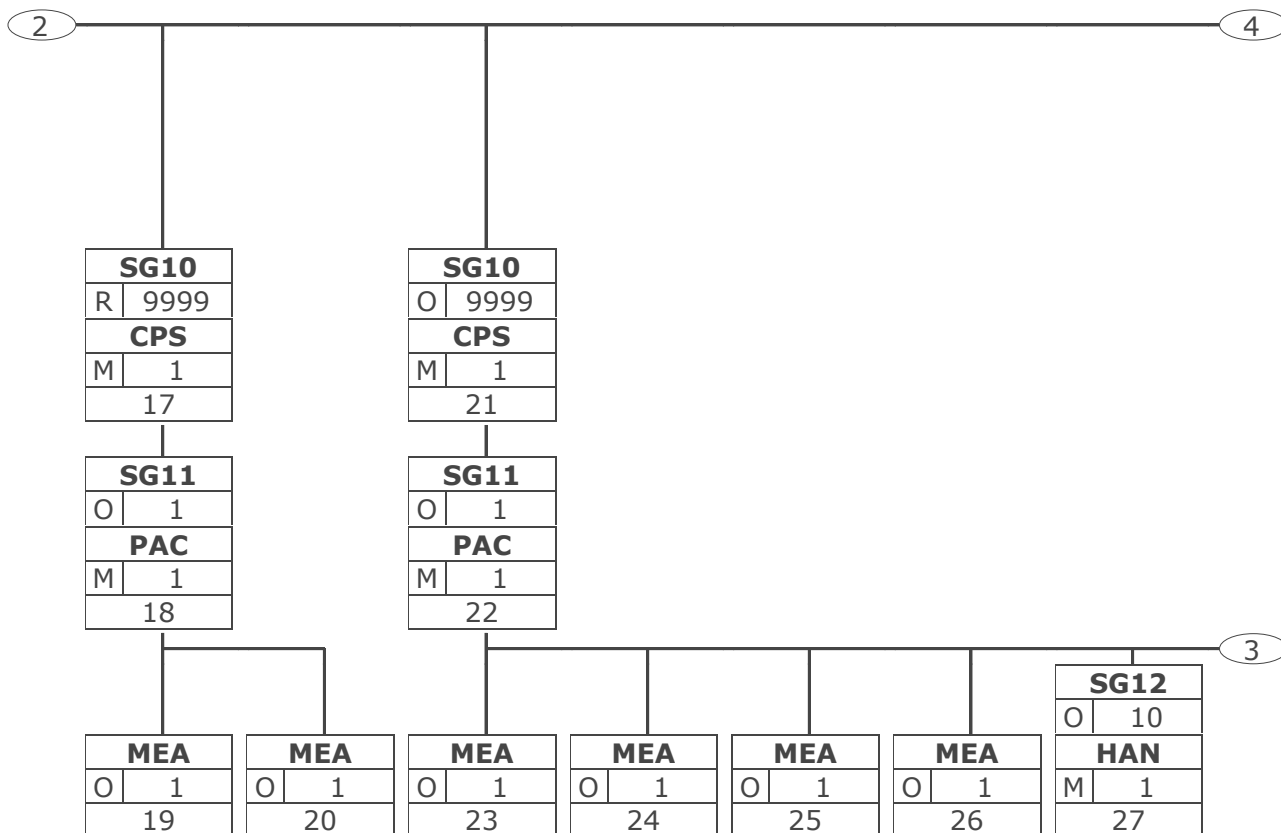
Tag	Tag = Segment/Group Tag
St MaxOcc	St = Status (M=Mandatory, C=Conditional, R=Required, O=Optional, A=Advised, D=Dependent)
No	MaxOcc = Maximum occurrence of the segment/group; No = Consecutive segment number

Branching Diagram



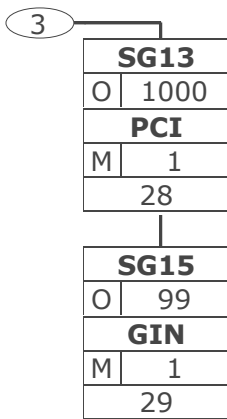
Tag	Tag = Segment/Group Tag
St MaxOcc	St = Status (M=Mandatory, C=Conditional, R=Required, O=Optional, A=Advised, D=Dependent)
No	MaxOcc = Maximum occurrence of the segment/group; No = Consecutive segment number

Branching Diagram



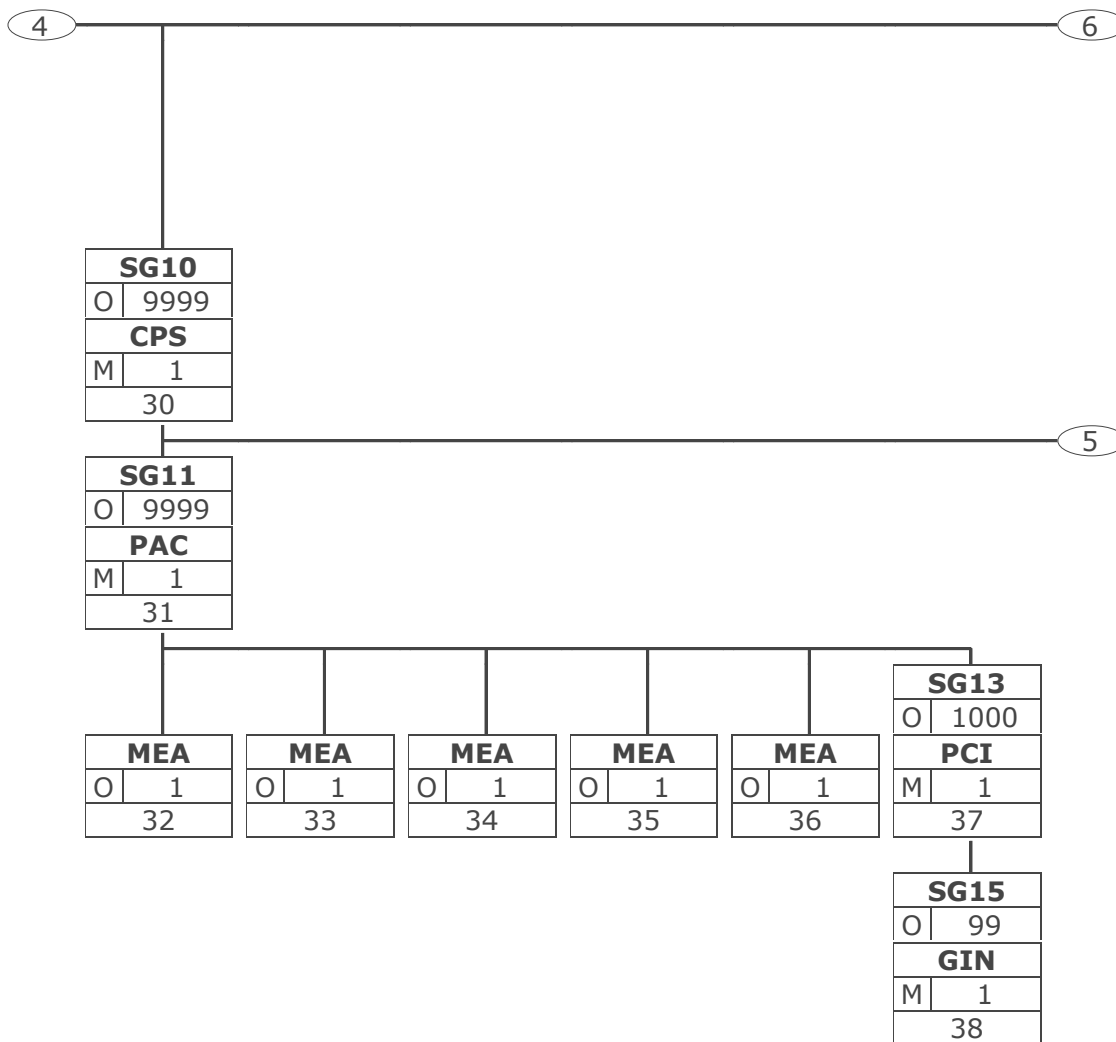
Tag	Tag = Segment/Group Tag
St MaxOcc	St = Status (M=Mandatory, C=Conditional, R=Required, O=Optional, A=Advised, D=Dependent)
No	MaxOcc = Maximum occurrence of the segment/group; No = Consecutive segment number

Branching Diagram



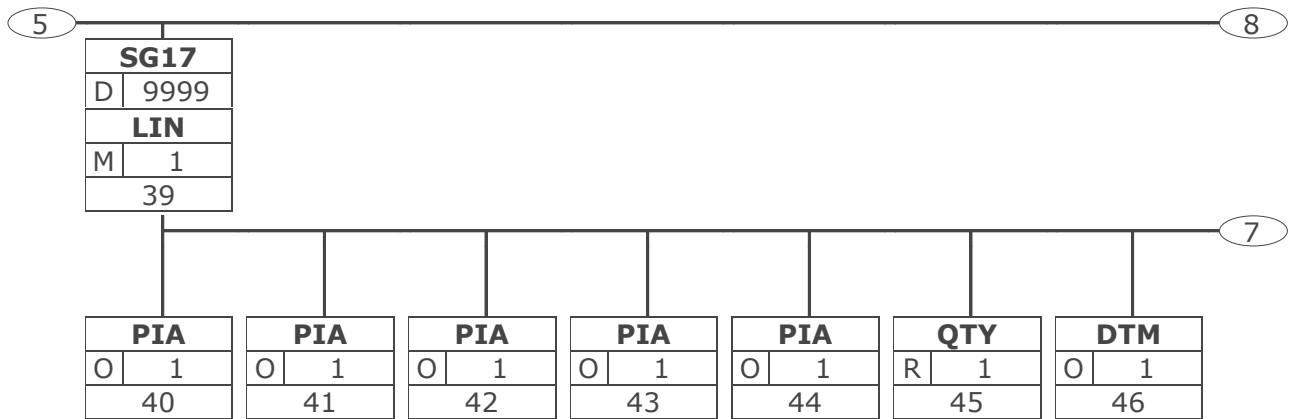
Tag	Tag = Segment/Group Tag
St MaxOcc	St = Status (M=Mandatory, C=Conditional, R=Required, O=Optional, A=Advised, D=Dependent)
No	MaxOcc = Maximum occurrence of the segment/group; No = Consecutive segment number

Branching Diagram



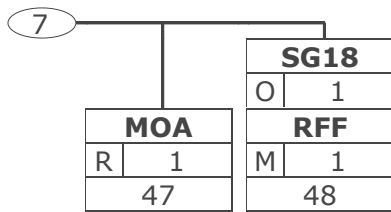
Tag	Tag = Segment/Group Tag
St MaxOcc	St = Status (M=Mandatory, C=Conditional, R=Required, O=Optional, A=Advised, D=Dependent)
No	MaxOcc = Maximum occurrence of the segment/group; No = Consecutive segment number

Branching Diagram



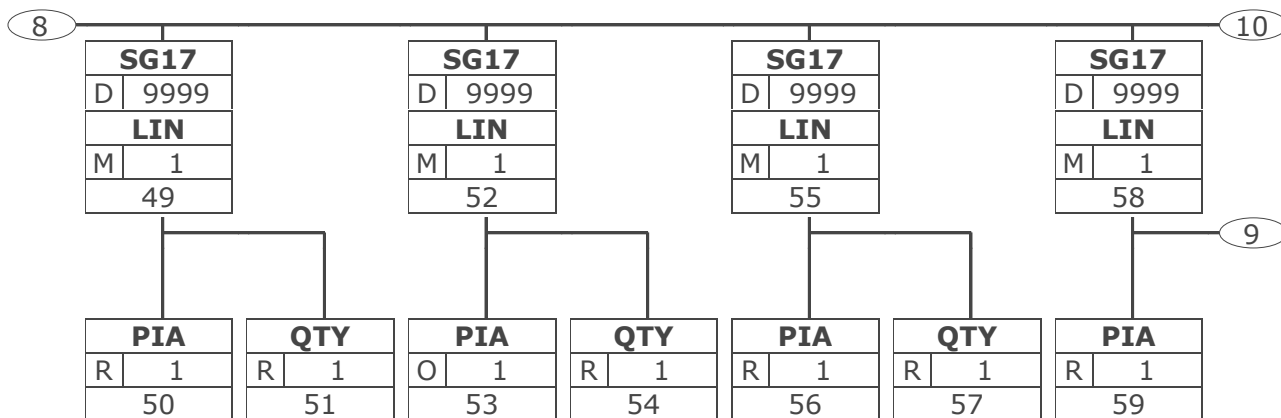
Tag	Tag = Segment/Group Tag
St MaxOcc	St = Status (M=Mandatory, C=Conditional, R=Required, O=Optional, A=Advised, D=Dependent)
No	MaxOcc = Maximum occurrence of the segment/group; No = Consecutive segment number

Branching Diagram



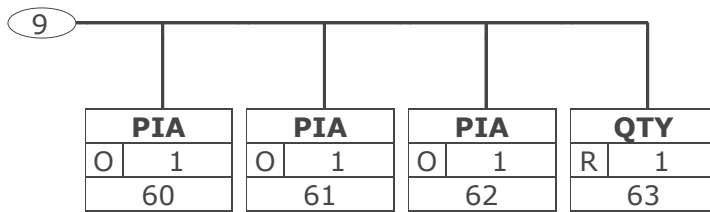
Tag	Tag = Segment/Group Tag
St MaxOcc	St = Status (M=Mandatory, C=Conditional, R=Required, O=Optional, A=Advised, D=Dependent)
No	MaxOcc = Maximum occurrence of the segment/group; No = Consecutive segment number

Branching Diagram



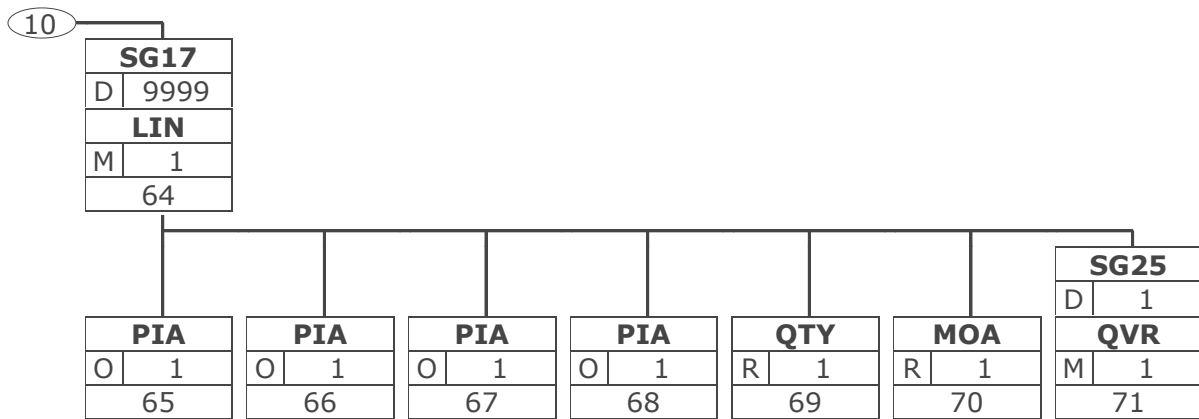
Tag	Tag = Segment/Group Tag
St	MaxOcc St = Status (M=Mandatory, C=Conditional, R=Required, O=Optional, A=Advised, D=Dependent)
No	MaxOcc = Maximum occurrence of the segment/group; No = Consecutive segment number

Branching Diagram



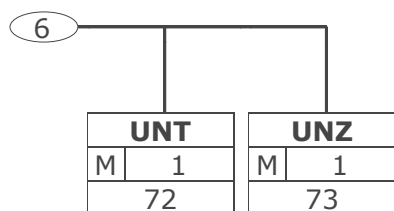
Tag	Tag = Segment/Group Tag
St MaxOcc	St = Status (M=Mandatory, C=Conditional, R=Required, O=Optional, A=Advised, D=Dependent)
No	MaxOcc = Maximum occurrence of the segment/group; No = Consecutive segment number

Branching Diagram



Tag	Tag = Segment/Group Tag
St MaxOcc	St = Status (M=Mandatory, C=Conditional, R=Required, O=Optional, A=Advised, D=Dependent)
No	MaxOcc = Maximum occurrence of the segment/group; No = Consecutive segment number

Branching Diagram



Tag	Tag = Segment/Group Tag
St MaxOcc	St = Status (M=Mandatory, C=Conditional, R=Required, O=Optional, A=Advised, D=Dependent)
No	MaxOcc = Maximum occurrence of the segment/group; No = Consecutive segment number

Message Structure

Seg.	No.	Status	Max Occ	Segment
UNA	1	R	1	Used character set
UNB	2	M	1	Beginning of transmission file
Heading Section				
UNH	3	M	1	Beginning of message
BGM	4	M	1	Document Number
DTM	5	R	1	Creation date
DTM	6	O	1	Despatch date
SG1		D	1	RFF
RFF	7	M	1	Buyers order number
SG1		D	1	RFF
RFF	8	M	1	Suppliers order number
SG1		O	1	RFF
RFF	9	M	1	Delivery note
SG2		R	1	NAD-SG4
NAD	10	M	1	Identification of buyer/invoicee
SG4		O	1	CTA
CTA	11	M	1	Contact person or department
SG2		O	1	NAD
NAD	12	M	1	Identification of invoicee
SG2		R	1	NAD-SG4-SG4
NAD	13	M	1	GLN of the receiver of goods/services
SG4		O	1	CTA
CTA	14	M	1	Authorized Person
SG4		O	1	CTA
CTA	15	M	1	Responsible Person
SG2		R	1	NAD
NAD	16	M	1	Supplier identification
Detail section consignment				
SG10		R	9999	CPS-SG11
CPS	17	M	1	Sequence of packages within the consignment
SG11		O	1	PAC-MEA-MEA
PAC	18	M	1	Number of packages
MEA	19	O	1	Gross weight of the consignment
MEA	20	O	1	Total volume of the consignment
Detail section despatch units				
SG10		O	9999	CPS-SG11
CPS	21	M	1	Hierarchy level
SG11		O	1	PAC-MEA-MEA-MEA-MEA-SG12-SG13
PAC	22	M	1	Number of packages
MEA	23	O	1	Sandwich pallet
MEA	24	O	1	Gross weight of a package
MEA	25	O	1	Volume of package
MEA	26	O	1	Height of package
SG12		O	10	HAN
HAN	27	M	1	Handling instructions
SG13		O	1000	PCI-SG15
PCI	28	M	1	Marking with SSCC
SG15		O	99	GIN

Max. Occ. = Maximum occurrence of the segment/group, Status: M=Mandatory, C=Conditional, R=Required, O=Optional, A=Advised, D=Dependent

Message Structure

Seg.	No.	Status	Max Occ	Segment
GIN	29	M	1	Serial Shipping Container Code (SSCC)
Detail section despatch units / articles				
SG10		O	9999	CPS-SG11-SG17-SG17-SG17-SG17-SG17-SG17
CPS	30	M	1	Hierarchy level
SG11		O	9999	PAC-MEA-MEA-MEA-MEA-MEA-MEA-SG13
PAC	31	M	1	Number of packages
MEA	32	O	1	Sandwich pallet
MEA	33	O	1	Gross weight of a package
MEA	34	O	1	Volume of package
MEA	35	O	1	Height of package
MEA	36	O	1	Gross weight of the consignment
SG13		O	1000	PCI-SG15
PCI	37	M	1	Marking with SSCC
SG15		O	99	GIN
GIN	38	M	1	Serial Shipping Container Code (SSCC)
1. Detail section, Primary Identification GTIN				
SG17		D	9999	1. Detail section, Primary Identification GTIN
LIN	39	M	1	GTIN article number
PIA	40	O	1	Pharma Zentral Nummer
PIA	41	O	1	Suppliers article number
PIA	42	O	1	HIBC (Health Industry Bar Code)
PIA	43	O	1	Buyers article number
PIA	44	O	1	Batch number
QTY	45	R	1	Quantity
DTM	46	O	1	Expiry date
MOA	47	R	1	Line item amount
SG18		O	1	RFF
RFF	48	M	1	Case number
2. Detail section, Primary Identification PZN				
SG17		D	9999	2. Position, Primäridentifikation PZN
LIN	49	M	1	Line number
PIA	50	R	1	Pharmazentralnummer PZN (central allocated article number for pharma products)
QTY	51	R	1	Quantity
3. Detail section, Primary Identification Suppliers Article Number				
SG17		D	9999	3. Detail section, Primary Identification Suppliers Article Number
LIN	52	M	1	Line number
PIA	53	O	1	Suppliers article number
QTY	54	R	1	Quantity
4. Detail section, Primary Identification Buyers Article Number				
SG17		D	9999	4. Detail section, Primary Identification Buyers Article Number

Max. Occ. = Maximum occurrence of the segment/group, Status: M=Mandatory, C=Conditional, R=Required, O=Optional, A=Advised, D=Dependent

Message Structure

Seg.	No.	Status	Max Occ	Segment
LIN	55	M	1	Line number
PIA	56	R	1	Buyers article number
QTY	57	R	1	Quantity
5. Detail section, Primary Identification PZN, additionally: Suppliers + Buyers Article Number, HIBC				
SG17		D	9999	5. Detail section, Primary Identification PZN, additionally: Suppliers + Buyers Article Number, HIBC
LIN	58	M	1	Line number
PIA	59	R	1	Pharmazentralnummer PZN (central allocated article number for pharma products)
PIA	60	O	1	Suppliers article number
PIA	61	O	1	Buyers article number
PIA	62	O	1	HIBC (Health Industry Bar Code)
QTY	63	R	1	Quantity
6. Detail section, Primary Identification GTIN, additionally: PZN, Suppliers + Buyers Article Number, HIBC				
SG17		D	9999	6. Detail section, Primary Identification GTIN, additionally: PZN, Suppliers + Buyers Article Number, HIBC
LIN	64	M	1	GTIN article number
PIA	65	O	1	Pharma Zentral Nummer
PIA	66	O	1	Suppliers article number
PIA	67	O	1	HIBC (Health Industry Bar Code)
PIA	68	O	1	Buyers article number
QTY	69	R	1	Quantity
MOA	70	R	1	Line item amount
SG25		D	1	QVR
QVR	71	M	1	Quantity difference
UNT	72	M	1	End of message
UNZ	73	M	1	End of the transmission file

Max. Occ. = Maximum occurrence of the segment/group, Status: M=Mandatory, C=Conditional, R=Required, O=Optional, A=Advised, D=Dependent

Segment Layout

No. Seg	St	Max. Occ.			
1		R 1	UNA Service string advice		
To define the characters selected for use as delimiters and indicators in the rest of the interchange that follows.					
Business Term	DE	EDIFACT	Format	St	* Description
Component data element separator	UNA1	Component data element separator	an1	M	Default value: ":"
Data element separator	UNA2	Data element separator	an1	M	Default value: "+"
Decimal notation	UNA3	Decimal notation	an1	M	Default value: "."
Release character	UNA4	Release indicator	an1	M	Default value: "?"
Reserved for future use	UNA5	Reserved for future use	an1	M	(Default value: space)
Segment terminator	UNA6	Segment terminator	an1	M	Default value: "' '
<p>Segmentstatus: Mandatory</p> <p>The use of the UNA segment is mandatory, if character set "A" (UNB,DE0001) is not used. For international EDI the use of character set UNOA is recommended. For national (German) EDI the use of UNOC is reasonable because it contains lower case letters and umlauts.</p> <p>Example: UNA:+.?' '</p> <p>The UNA segment contains the default service string characters.</p>					

Max. Occ. = Maximum Occurrence, St = Status, * = Restricted Codes
 Status: M=Mandatory, R=Required, O=Optional, D=Dependent, A=Advised, N=Not used

Segment Layout

No. Seg	St	Max. Occ.				
2	UNB	M 1	Interchange header To start, identify and specify an interchange.			
Business Term	DE	EDIFACT	Format	St	*	Description
	S001	Syntax identifier		M		
Character set	0001	Syntax identifier	a4	M		UNOA UN/ECE level A UNOB UN/ECE level B UNOC UN/ECE level C UNOD UN/ECE level D UNOE UN/ECE level E UNOF UN/ECE level F
Syntax version	0002	Syntax version number	n1	M	*	3 Version 3
	S002	Interchange sender		M		
Indentification of the sender of the transmission file	0004	Sender identification	an..35	M		= Global Location Number (GLN)
	0007	Partner identification code qualifier	an..4	R	*	14 GS1
Address for reverse routing	0008	Address for reverse routing	an..14	O		See note
	S003	Interchange recipient		M		
Indentification of the receiver of the transmission file	0010	Recipient identification	an..35	M		= Global Location Number (GLN)
	0007	Partner identification code qualifier	an..4	R	*	14 GS1
Routing address	0014	Routing address	an..14	O		See note
	S004	Date/time of preparation		M		
File creation date	0017	Date of preparation	n6	M		= Dateformat JJMMTT
File creation time	0019	Time of preparation	n4	M		= Timeformat HHMM
Interchange control reference, beginnig	0020	Interchange control reference	an..14	M		= Unique senders reference
	S005	Recipient's reference, password		O		
Password interchange	0022	Recipient's reference/ password	an..14	M		
	0025	Recipient's reference/ password qualifier	an2	O	*	AA Reference BB Password
Application reference	0026	Application reference	an..14	O		Message type if the transmission fole contains only one message type
	0029	Processing priority code	a1	O	*	A Highest priority
Acknowledgement request	0031	Acknowledgement request	n1	O		
EANCOM	0032	Communications agreement ID	an..35	R		= EANCOM... EDIFACT subset identification (see note)
Test indicator	0035	Test indicator	n1	O	*	1 Interchange is a test

Max. Occ. = Maximum Occurrence, St = Status, * = Restricted Codes
 Status: M=Mandatory, R=Required, O=Optional, D=Dependent, A=Advised, N=Not used

Segment Layout

Segmentstatus: Mandatory

For international EDI the use of character set UNOA is recommended. For national (German) EDI the use of UNOC is reasonable because it contains lower case letters and umlauts.

Note DE 0008:

The address for reverse routing is provided by the interchange sender to inform the interchange recipient of the address within the sender's (source) system to which responding interchanges must be sent. It is recommended that the GLN be used for this purpose.

Note DE 0014:

The routing address is used to identify the receiver, if a provider adds service values for the actual receiver (e.g. consolidated companies, corporate group). The use of the identification system (e.g. GLN) has to be agreed bilaterally.

Note DE 0020:

This data element must contain a consistent sequential number per interchange between sender and receiver of the transmission.

Note DE 0032:

This data element is used to identify any underlying agreements which control the exchange of data. Within EANCOM, the identity of such agreements must start with the letters 'EANCOM', the remaining characters within the data element being filled according to bilateral agreements.

Example: UNB+UNOC:3+4012345000009:14:4012345000018+4000004000002:14:4000004000099+101013:1043+4711+REF:AA+++EANCOM+1'

The EANCOM file 4711 dated 13.10.2016, 10 h 43 is sent by the issuer identified with GLN 4012345000009 to the receiver identified with GLN 4000004000002.

Max. Occ. = Maximum Occurrence, St = Status, * = Restricted Codes

Status: M=Mandatory, R=Required, O=Optional, D=Dependent, A=Advised, N=Not used

Segment Layout

No. Seg	St	Max. Occ.				
3	UNH	M 1	Message header To head, identify and specify a message.			
Business Term	DE	EDIFACT	Format	St	*	Description
Message reference number	0062	Message reference number	an..14	M		Sender's unique message reference. Sequence number of messages in the interchange. DE 0062 in UNT will have the same value. Generated by the sender.
	S009	Message identifier		M		
	0065	Message type	an..6	M	*	DESADV Despatch advice message
	0052	Message version number	an..3	M	*	D Draft version/ UN/EDIFACT Directory
	0054	Message release number	an..3	M	*	01B Release 2001 - B
	0051	Controlling agency	an..2	M	*	UN UN/CEFACT
	0057	Association assigned code	an..6	R	*	EAN007 GS1 version control number (GS1 Permanent Code)
<p>Segmentstatus: Mandatory This segment is used to head, identify and specify a message. Example: UNH+ME000001+DESADV:D:01B:UN:EAN007' The reference number of the DESADV message is ME000001..</p>						

Max. Occ. = Maximum Occurrence, St = Status, * = Restricted Codes
 Status: M=Mandatory, R=Required, O=Optional, D=Dependent, A=Advised, N=Not used

Segment Layout

No.	Seg	St	Max. Occ.			
4	BGM	M	1	Beginning of message To indicate the type and function of a message and to transmit the identifying number.		
Business Term	DE	EDIFACT	Format	St	*	Description
	C002	Document/message name		R		
	1001	Document name code	an..3	R	*	351 Despatch advice YA7 Consignment despatch advice (GS1 Temporary Code)
	C106	Document/message identification		R		
Document Number	1004	Document identifier	an..35	R		Document number assigned by sender
	1225	Message function code	an..3	R	*	9 Original
<p>Segmentstatus: Mandatory This segment is used to indicate the type and function of a message and to transmit the identifying number. Example: BGM+351+87441+9' The document number is 87441.</p>						

Max. Occ. = Maximum Occurrence, St = Status, * = Restricted Codes
 Status: M=Mandatory, R=Required, O=Optional, D=Dependent, A=Advised, N=Not used

Segment Layout

No.	Seg	St	Max.	Occ.			
5	DTM	R	1		Date/time/period To specify date, and/or time, or period.		
Business Term	DE	EDIFACT	Format	St	*	Description	
	C507	Date/time/period		M			
	2005	Date or time or period function code qualifier	an..3	M	*	137 Document/ message date/ time	
Creation date	2380	Date or time or period value	an..35	R			
	2379	Date or time or period format code	an..3	R		102 CCYYMMDD 203 CCYYMMDDHHMM	
<p>Segmentstatus: Mandatory Identification of the 'Document/message date/time' (code value 137) is mandatory in the invoice message.</p> <p>Example: <code>DTM+137:20160823:102'</code> The document date is the 23th of August 2016.</p> <p>Example: <code>DTM+137:201608230800:203'</code> The document date is the 23th of August 2016, 8 o'clock..</p>							

Max. Occ. = Maximum Occurrence, St = Status, * = Restricted Codes
 Status: M=Mandatory, R=Required, O=Optional, D=Dependent, A=Advised, N=Not used

Segment Layout

No.	Seg	St	Max. Occ.			
6	DTM	O	1	Date/time/period To specify date, and/or time, or period.		
Business Term	DE	EDIFACT	Format	St	*	Description
	C507	Date/time/period		M		
	2005	Date or time or period function code qualifier	an..3	M	*	11 Despatch date and/or time
Despatch date	2380	Date or time or period value	an..35	R		
	2379	Date or time or period format code	an..3	R		102 CCYYMMDD 203 CCYYMMDDHHMM
<p>Segmentstatus: Optional Date on which good have been/will be despatched</p> <p>Example: DTM+11:20160823:102' The despatch date is the 23th of August 2016.</p> <p>Example: DTM+137:201608230800:203' The despatch date is the 23th of August 2016, 8 o'clock.</p>						

Max. Occ. = Maximum Occurrence, St = Status, * = Restricted Codes
Status: M=Mandatory, R=Required, O=Optional, D=Dependent, A=Advised, N=Not used

Segment Layout

No.	Seg	St	Max.	Occ.		
7	SG1	D	1		RFF	
	RFF	M	1		Reference	
To specify a reference.						
Business Term	DE	EDIFACT	Format	St	*	Description
	C506	Reference		M		
	1153	Reference code qualifier	an..3	M	*	ON Order number (buyer)
Buyers order number	1154	Reference identifier	an..70	C		
<p>Segmentstatus: Depending This segment can contain a reference to buyers order number. In case of CRP orders this number is not available. Note: SG1 may be repeated max. 10 times. Example: RFF+ON:4711 ' The message references to buyers order number 4711.</p>						

Max. Occ. = Maximum Occurrence, St = Status, * = Restricted Codes
 Status: M=Mandatory, R=Required, O=Optional, D=Dependent, A=Advised, N=Not used

Segment Layout

No.	Seg	St	Max.	Occ.		
8	SG1	D	1		RFF	
	RFF	M	1		Reference	
To specify a reference.						
Business Term	DE	EDIFACT	Format	St	*	Description
	C506	Reference		M		
	1153	Reference code qualifier	an..3	M	*	VN Order number (supplier)
Suppliers order number	1154	Reference identifier	an..70	R		
<p>Segmentstatus: Depending This segment is used to provide the (internal) order number of the supplier. In case of returns and movement between outlets this information is not available. Note: SG1 may be repeated max. 10 times.</p> <p>Example: RFF+VN:4712 ' The message references to suppliers order number 4712.</p>						

Max. Occ. = Maximum Occurrence, St = Status, * = Restricted Codes
 Status: M=Mandatory, R=Required, O=Optional, D=Dependent, A=Advised, N=Not used

Segment Layout

No.	Seg	St	Max.	Occ.		
9	SG1	O	1		RFF	
	RFF	M	1		Reference	
To specify a reference.						
Business Term	DE	EDIFACT	Format	St	*	Description
	C506	Reference		M		
	1153	Reference code qualifier	an..3	M	*	DQ Delivery note number
Delivery note	1154	Reference identifier	an..70	R		
<p>Segmentstatus: Optional This segment can be used to reference the delivery note number. This indication is valid for all articles of the entire despatch advice and can be overwritten in the detail-section. Note: SG1 may be repeated max. 10 times.</p> <p>Example: RFF+DQ:3546' The message references to delivery note number 3546.</p>						

Max. Occ. = Maximum Occurrence, St = Status, * = Restricted Codes
 Status: M=Mandatory, R=Required, O=Optional, D=Dependent, A=Advised, N=Not used

Segment Layout

No.	Seg	St	Max. Occ.			
10	SG2	R	1	NAD-SG4		
	NAD	M	1	Name and address		
To specify the name/address and their related function, either by C082 only and/or unstructured by C058 or structured by C080 thru 3207.						
Business Term	DE	EDIFACT	Format	St	*	Description
	3035	Party function code qualifier	an..3	M	*	BY Buyer
	C082	Party identification details		A		
Identification of buyer/invoicee	3039	Party identifier	an..35	M		Global Location Number (GLN) - Format n13
	1131	Code list identification code	an..17	N		
	3055	Code list responsible agency code	an..3	R	*	9 GS1
	C058	Name and address		O		This composite may only be used to fulfill the requirements of directive 2003/58/EG, article 4. If applicable the message sender gets the possibility to give the relevant statements at this place. If C058 ist not sufficient, more declaration can be given in following RFF+GN... segments.
	3124	Name and address description	an..35	M		
	3124	Name and address description	an..35	O		
	3124	Name and address description	an..35	O		
	3124	Name and address description	an..35	O		
	3124	Name and address description	an..35	O		
	C080	Party name		D		
Name 1 of the buyer/invoicee	3036	Party name	an..35	M		
Name 2 of the buyer/invoicee	3036	Party name	an..35	O		
Name 3 of the buyer/invoicee	3036	Party name	an..35	O		
Name 4 of the buyer/invoicee	3036	Party name	an..35	O		
Name 5 of the buyer/invoicee	3036	Party name	an..35	O		
	C059	Street		D		
Street1 and number of the buyer/invoicee	3042	Street and number or post office box identifier	an..35	M		
Street2 and number of the buyer/invoicee	3042	Street and number or post office box identifier	an..35	O		

Max. Occ. = Maximum Occurrence, St = Status, * = Restricted Codes
 Status: M=Mandatory, R=Required, O=Optional, D=Dependent, A=Advised, N=Not used

Segment Layout

Business Term	DE	EDIFACT	Format	St	*	Description
Street3 and number of the buyer/invoicee	3042	Street and number or post office box identifier	an..35	O		
Street4 and number of the buyer/invoicee	3042	Street and number or post office box identifier	an..35	O		
Place of the buyer/invoicee - name of a city (town, village) for addressing purposes.	3164	City name	an..35	D		
	C819	Country sub-entity details		D		
	3229	Country sub-entity name code	an..9	O		Identification of the name of sub-entities (state, province) defined by appropriate governmental agencies
Postcode of the buyer/invoicee	3251	Postal identification code	an..17	D		
Country of the buyer/invoicee, coded	3207	Country name code	an..3	D		DE GERMANY
<p>Segmentstatus: Mandatory Within EANCOM it is mandatory to identify the buyer/invoicee by Global Location Number (GLN). GS1 Germany recommends to identify partners by use of GLN only.</p> <p>Example: NAD+BY+4398765000004::9+X:X:X:X:X+Käufer/Rechnungsempfänger-Name 1:Käufer-Name 2:Käufer-Name 3:Käufer-Name 4:Käufer-Name 5+Käufer/Rechnungsempfänger-Straße/Postfach 1:Käufer-Straße/Postfach2:Käufer-Straße/Postfach3:Käufer-Straße/Postfach4+Käufer-Ort+Käufer-Region/Bundesland+Käuferr-Postleitzahl+Käufer-Land' The order is generated by a buyer with the Global Location Number (GLN) 4398765000004.</p>						

Max. Occ. = Maximum Occurrence, St = Status, * = Restricted Codes
 Status: M=Mandatory, R=Required, O=Optional, D=Dependent, A=Advised, N=Not used

Segment Layout

No.	Seg	St	Max. Occ.				
11	SG2	R	1	NAD-SG4			
	SG4	O	1	CTA			
	CTA	M	1	Contact information To identify a person or a department to whom communication should be directed.			
Business Term		DE	EDIFACT	Format	St	*	Description
		3139	Contact function code	an..3	R	*	PD Purchasing contact
		C056	Department or employee details		O		
Purchasing contact department		3413	Department or employee name code	an..17	O		
Ordering person		3412	Department or employee name	an..35	O		
<p>Segmentstatus: Optional This segment is used to identify the ordering department and/or person within the party specified in the NAD (e.g. hospital). Example: CTA+PD+NEUROLOGIE:Herr Schmidt' Purchasing contact person is Mr. Schmidt</p>							

Max. Occ. = Maximum Occurrence, St = Status, * = Restricted Codes
 Status: M=Mandatory, R=Required, O=Optional, D=Dependent, A=Advised, N=Not used

Segment Layout

No.	Seg	St	Max. Occ.			
12	SG2	O	1	NAD		
	NAD	M	1	Name and address		
To specify the name/address and their related function, either by C082 only and/or unstructured by C058 or structured by C080 thru 3207.						
Business Term	DE	EDIFACT	Format	St	*	Description
	3035	Party function code qualifier	an..3	M	*	IV Invoicee
	C082	Party identification details		A		
Identification of invoicee	3039	Party identifier	an..35	M		Global Location Number (GLN) - Format n13
	1131	Code list identification code	an..17	N		
	3055	Code list responsible agency code	an..3	R	*	9 GS1
	C058	Name and address		O		This composite may only be used to fulfill the requirements of directive 2003/58/EG, article 4. If applicable the message sender gets the possibility to give the relevant statements at this place. If C058 ist not sufficient, more declaration can be given in following RFF+GN... segments.
	3124	Name and address description	an..35	M		
	3124	Name and address description	an..35	O		
	3124	Name and address description	an..35	O		
	3124	Name and address description	an..35	O		
	3124	Name and address description	an..35	O		
	C080	Party name		D		
Name 1 of the buyer/invoicee	3036	Party name	an..35	M		
Name 2 of the buyer/invoicee	3036	Party name	an..35	O		
Name 3 of the buyer/invoicee	3036	Party name	an..35	O		
	C059	Street		D		
Street and number of the buyer/invoicee	3042	Street and number or post office box identifier	an..35	M		
Place of the buyer/invoicee - name of a city (town, village) for adressing purposes.	3164	City name	an..35	D		
	C819	Country sub-entity details		D		

Max. Occ. = Maximum Occurrence, St = Status, * = Restricted Codes
 Status: M=Mandatory, R=Required, O=Optional, D=Dependent, A=Advised, N=Not used

Segment Layout

Business Term	DE	EDIFACT	Format	St	*	Description
	3229	Country sub-entity name code	an..9	O		Identification of the name of sub-entities (state, province) defined by appropriate governmental agencies
Postcode of the buyer/ invoicee	3251	Postal identification code	an..17	D		
Country of the buyer/ invoicee, coded	3207	Country name code	an..3	D		DE GERMANY

Segmentstatus: Optional

Within EANCOM it is mandatory to identify the invoicee by Global Location Number (GLN). This specification is only necessary, if the buyer differs from the invoicee.

Example: `NAD+IV+4012345000009::9+X:X:X:X+Herr Max Mustermann+Musterstrasse 15+Musterhausen++55555+DE'`

The invoicee is identified by Global Location Number (GLN) 4012345000009.

Max. Occ. = Maximum Occurrence, St = Status, * = Restricted Codes

Status: M=Mandatory, R=Required, O=Optional, D=Dependent, A=Advised, N=Not used

Segment Layout

No.	Seg	St	Max. Occ.			
13	SG2	R	1	NAD-SG4		
	NAD	M	1	Name and address		
To specify the name/address and their related function, either by C082 only and/or unstructured by C058 or structured by C080 thru 3207.						
Business Term	DE	EDIFACT	Format	St	*	Description
	3035	Party function code qualifier	an..3	M	*	DP Delivery party
	C082	Party identification details		A		
GLN of the receiver of goods/services	3039	Party identifier	an..35	M		Global Location Number (GLN) - Format n13
	1131	Code list identification code	an..17	N		
	3055	Code list responsible agency code	an..3	R	*	9 GS1
	C058	Name and address		N		
	3124	Name and address description	an..35			
	C080	Party name		D		
Name 1 of the receiver	3036	Party name	an..35	M		
Name 2 of the receiver	3036	Party name	an..35	O		
Name 3 of the receiver	3036	Party name	an..35	O		
	C059	Street		D		
Street and number of receiver	3042	Street and number or post office box identifier	an..35	M		
Place of receiver - name of a city (town, village) for addressing purposes.	3164	City name	an..35	D		
	C819	Country sub-entity details		D		
	3229	Country sub-entity name code	an..9	O		Identification of the name of sub-entities (state, province) defined by appropriate governmental agencies
Postcode of receiver	3251	Postal identification code	an..17	D		
Country of receiver, coded	3207	Country name code	an..3	D		DE GERMANY
<p>Segmentstatus: Mandatory</p> <p>This NAD segment always identifies the first delivery place.</p> <p>DE 3039: The delivery party is identified by GLN. Party name and address in clear text may only be used, if a GLN is not (yet) available.</p> <p>Use of GLN, the specification of the Global Location Number is sufficient.</p> <p>For receivers, who do not have GLN, the address is indicated as clear text. The group C082 remains empty in this case.</p> <p>If the GLN of the delivery party is not known (e.g. pick up by third party), the GLN of the buyer is</p>						

Max. Occ. = Maximum Occurrence, St = Status, * = Restricted Codes
 Status: M=Mandatory, R=Required, O=Optional, D=Dependent, A=Advised, N=Not used

Segment Layout

indicated in DE 3039.

Example: `NAD+DP+4399899175941::9++Tante:Emma:Laden+Maarweg 104+Köln++50825+DE'`

The receiver is identified by Global Location Number (GLN) 4399899175941. An address in clear text is only allowed in exceptional cases.

Example: `NAD+DP+4399899175941::9'`

The delivery party is identified by GLN 4399899175941.

Example: `NAD+DP+++Tante:Emma:Laden+Maarweg 104+Köln++50825+DE'`

The delivery party is Tante Emma Laden, Maarweg 104, 50825 Köln.

Segment Layout

No.	Seg	St	Max. Occ.			
14	SG2	R	1	NAD-SG4		
	SG4	O	1	CTA		
	CTA	M	1	Contact information To identify a person or a department to whom communication should be directed.		
Business Term		DE	EDIFACT	Format	St	* Description
		3139	Contact function code	an..3	O	* CN Consignee
		C056	Department or employee details		O	
Authorized Party		3413	Department or employee name code	an..17	O	
Authorized Person		3412	Department or employee name	an..35	O	
<p>Segmentstatus: Optional For possible checkback this segment can provide a person to turn to. Example: CTA+CN+NEUROLOGIE:HERR MEIER ' Contact person is HERR MEIER.</p>						

Max. Occ. = Maximum Occurrence, St = Status, * = Restricted Codes
 Status: M=Mandatory, R=Required, O=Optional, D=Dependent, A=Advised, N=Not used

Segment Layout

No.	Seg	St	Max. Occ.			
15	SG2	R	1	NAD-SG4		
	SG4	O	1	CTA		
	CTA	M	1	Contact information To identify a person or a department to whom communication should be directed.		
Business Term	DE	EDIFACT	Format	St	*	Description
	3139	Contact function code	an..3	O	*	OC Order contact
	C056	Department or employee details		O		
Responsible Party	3413	Department or employee name code	an..17	O		
Responsible Person	3412	Department or employee name	an..35	O		
Segmentstatus: Optional For possible checkback this segment can provide a person to turn to. Example: CTA+OC+Auftragswesen:Herr Schmidt ' Contact person is Mr Schmidt.						

Max. Occ. = Maximum Occurrence, St = Status, * = Restricted Codes
 Status: M=Mandatory, R=Required, O=Optional, D=Dependent, A=Advised, N=Not used

Segment Layout

No.	Seg	St	Max. Occ.			
16	SG2	R	1	NAD		
	NAD	M	1	Name and address		
To specify the name/address and their related function, either by C082 only and/or unstructured by C058 or structured by C080 thru 3207.						
Business Term	DE	EDIFACT	Format	St	*	Description
	3035	Party function code qualifier	an..3	M	*	SU Supplier
	C082	Party identification details		A		
Supplier/issuer of invoice identification	3039	Party identifier	an..35	M		Global Location Number (GLN) - Format n13
	1131	Code list identification code	an..17	N		
	3055	Code list responsible agency code	an..3	R	*	9 GS1
	C058	Name and address		O		This composite may only be used to fulfill the requirements of directive 2003/58/EG, article 4. If applicable the message sender gets the possibility to give the relevant statements at this place. If C058 ist not sufficient, more declaration can be given in following RFF+GN... segments.
	3124	Name and address description	an..35	M		
	3124	Name and address description	an..35	O		
	3124	Name and address description	an..35	O		
	3124	Name and address description	an..35	O		
	3124	Name and address description	an..35	O		
	C080	Party name		D		
Name 1 of the Supplier	3036	Party name	an..35	M		
Name 2 of the Supplier	3036	Party name	an..35	O		
Name 3 of the Supplier	3036	Party name	an..35	O		
Name 4 of the Supplier	3036	Party name	an..35	O		
Name 5 of the Supplier	3036	Party name	an..35	O		
	C059	Street		D		
Street1 and number of the Supplier	3042	Street and number or post office box identifier	an..35	M		
Street2 and number of the Supplier	3042	Street and number or post office box identifier	an..35	O		

Max. Occ. = Maximum Occurrence, St = Status, * = Restricted Codes
 Status: M=Mandatory, R=Required, O=Optional, D=Dependent, A=Advised, N=Not used

Segment Layout

Business Term	DE	EDIFACT	Format	St	*	Description
Street3 and number of the Supplier	3042	Street and number or post office box identifier	an..35	O		
Street4 and number of the Supplier	3042	Street and number or post office box identifier	an..35	O		
Place of the Supplier - name of a city (town, village) for addressing purposes.	3164	City name	an..35	D		
	C819	Country sub-entity details		D		
	3229	Country sub-entity name code	an..9	O		Identification of the name of sub-entities (state, province) defined by appropriate governmental agencies
Postcode of the Supplier	3251	Postal identification code	an..17	D		
Country of the Supplier, coded	3207	Country name code	an..3	D		DE GERMANY
<p>Segmentstatus: Mandatory GS1 Germany recommends to identify partners by use of GLN only.</p> <p>Example: NAD+SU+4389876511113::9+X:X:X:X:X+Lieferanten-Name 1:Lieferanten-Name 2:Lieferanten-Name 3:Lieferanten-Name 4:Lieferanten-Name 5+Lieferanten-Straße/Postfach1:Lieferanten-Straße/Postfach2:Lieferanten-Straße/Postfach3:Lieferanten-Straße/Postfach4+Lieferanten-Ort+NRW+50825+DE' The supplier is identified by GLN 4389876511113.</p>						

Max. Occ. = Maximum Occurrence, St = Status, * = Restricted Codes
 Status: M=Mandatory, R=Required, O=Optional, D=Dependent, A=Advised, N=Not used

Segment Layout

No. Seg	St	Max. Occ.				
17			SG10	R	9999	CPS-SG11
			CPS	M	1	Consignment packing sequence To identify the sequence in which physical packing is presented in the consignment, and optionally to identify the hierarchical relationship between packing layers.
Business Term		DE	EDIFACT	Format	St	* Description
Sequence of packages within the consignment		7164	Hierarchical structure level identifier	an..35	M	Sequential numbering is recommended
<p>Segmentstatus: Mandatory</p> <p>The CPS segment starts the detail section of the message. The segments following the first occurrence of CPS (CPS+1) and previous to the following CPS (CPS+2+1) can provide physical dimensions for the entire consignment.</p> <p>This segment is used to identify the sequence in which packing of the consignment occurs, i.e. DE 7164 is increased by 1.</p> <p>Note for the first occurrence of SG 10: Due to a unique message structure the first SG 10 (CPS+1) is always only used to indicate the number of packages of a consignment and its total weight and volume, even if the consignment consists of only one package.</p> <p>Example: CPS+1' Sequence number one.</p>						

Max. Occ. = Maximum Occurrence, St = Status, * = Restricted Codes
 Status: M=Mandatory, R=Required, O=Optional, D=Dependent, A=Advised, N=Not used

Segment Layout

No.	Seg	St	Max. Occ.			
18	SG10	R	9999	CPS-SG11		
	SG11	O	1	PAC-MEA		
	PAC	M	1	Package		
To describe the number and type of packages/physical units.						
Business Term	DE	EDIFACT	Format	St	*	Description
Number of packages (Consignment)	7224	Package quantity	n..8	O		
	C531	Packaging details		A		
	7075	Packaging level code	an..3	N		
	7233	Packaging related description code	an..3	O		50 Package barcoded EAN-13 or EAN-8 52 Package barcoded UCC or EAN-128 78 Package bar-coded and EPC tagged (former 55E) 79 Package EPC tagged only (former 56E)
	7073	Packaging terms and conditions code	an..3	O		
	C202	Package type		O		
	7065	Package type description code	an..17	A		The use of any code value of this codes list is allowed. 201 Pallet ISO 1 - 1/1 EURO Pallet (GS1 Temporary Code)
	1131	Code list identification code	an..17	O		
	3055	Code list responsible agency code	an..3	D	*	9 GS1 Code value 9 is only used if DE 7065 contains a GS1 code.
<p>Segmentstatus: Optional This segment can be used to indicate the total number of packages per package type within the consignment.</p> <p>Example: PAC+10+:52+201::9' 10 Pallets ISO 1 - 1/1 EURO Pallet</p>						

Max. Occ. = Maximum Occurrence, St = Status, * = Restricted Codes
 Status: M=Mandatory, R=Required, O=Optional, D=Dependent, A=Advised, N=Not used

Segment Layout

No.	Seg	St	Max. Occ.			
19	SG10	R	9999	CPS-SG11		
	SG11	O	1	PAC-MEA		
	MEA	O	1	Measurements		
To specify physical measurements, including dimension tolerances, weights and counts.						
Business Term	DE	EDIFACT	Format	St	*	Description
	6311	Measurement purpose code qualifier	an..3	M	*	PD Physical dimensions (product ordered)
	C502	Measurement details		A		
	6313	Measured attribute code	an..3	A	*	AAD Total gross weight
	C174	Value/range		R		
	6411	Measurement unit code	an..3	M		KGM kilogram TNE tonne (metric ton)
Gross weight of the consignment	6314	Measurement value	an..18	R		
<p>Segmentstatus: Optional This segment is used to provide measurements or dimensions relevant to the packaging unit described in the PAC segment. After the first occurrence of the CPS segment the total gross weight of the consignment is provided.</p> <p>Example: MEA+PD+AAD+KGM:10' The gross weight is 10 kg.</p>						

Max. Occ. = Maximum Occurrence, St = Status, * = Restricted Codes
 Status: M=Mandatory, R=Required, O=Optional, D=Dependent, A=Advised, N=Not used

Segment Layout

No.	Seg	St	Max. Occ.			
20	SG10	R	9999	CPS-SG11		
	SG11	O	1	PAC-MEA		
	MEA	O	1	Measurements		
To specify physical measurements, including dimension tolerances, weights and counts.						
Business Term	DE	EDIFACT	Format	St	*	Description
	6311	Measurement purpose code qualifier	an..3	M	*	PD Physical dimensions (product ordered)
	C502	Measurement details		A		
	6313	Measured attribute code	an..3	A	*	AAW Gross volume
	C174	Value/range		R		
	6411	Measurement unit code	an..3	M		LTR litre MTQ cubic metre
Total volume of the consignment	6314	Measurement value	an..18	R		
<p>Segmentstatus: Optional This segment is used to provide measurements or dimensions relevant to the packaging unit described in the PAC segment.</p> <p>Example: MEA+PD+AAW+MTQ:15' The gross volume is 1 cubic metre.</p>						

Max. Occ. = Maximum Occurrence, St = Status, * = Restricted Codes
 Status: M=Mandatory, R=Required, O=Optional, D=Dependent, A=Advised, N=Not used

Segment Layout

No.	Seg	St	Max. Occ.			
21	SG10	O	9999	CPS-SG11		
	CPS	M	1	Consignment packing sequence To identify the sequence in which physical packing is presented in the consignment, and optionally to identify the hierarchical relationship between packing layers.		
Business Term		DE	EDIFACT	Format	St	* Description
Sequence of the packages (despatch units)		7164	Hierarchical structure level identifier	an..35	M	Sequential numbering is recommended
Hierarchy level		7166	Hierarchical structure parent identifier	an..35	A	
<p>Segmentstatus: Optional The detail section provides information about despatch units and associated SSCC. This segment is used to indicate the sequence of despatch units within the consignment, i.e. DE 7164 is increased by 1. If no hierarchical structure is described (first SG10 is mandatory), the message continues with SG 17 after fulfilling the requests of SG 10.</p> <p>Example: CPS+2+1' Sequence number two.</p>						

Max. Occ. = Maximum Occurrence, St = Status, * = Restricted Codes
 Status: M=Mandatory, R=Required, O=Optional, D=Dependent, A=Advised, N=Not used

Segment Layout

No. Seg	St	Max. Occ.				
22	SG10	O 9999	CPS-SG11			
	SG11	O 1	PAC-MEA-SG12-SG13			
	PAC	M 1	Package			
To describe the number and type of packages/physical units.						
Business Term	DE	EDIFACT	Format	St	*	Description
Number of packages (despatch units)	7224	Package quantity	n..8	O		
	C531	Packaging details		A		
	7075	Packaging level code	an..3	N		
	7233	Packaging related description code	an..3	O		50 Package barcoded EAN-13 or EAN-8 52 Package barcoded UCC or EAN-128 78 Package bar-coded and EPC tagged (former 55E) 79 Package EPC tagged only (former 56E)
	7073	Packaging terms and conditions code	an..3	O		Exchange pallet: 27 Package exchangeable at the point of delivery Rented pallet: 4E Rented (GS1 Temporary Code) One way pallet: XX4 No Exchange / No Return Pallet (GS1 Temporary Code)
	C202	Package type		O		
	7065	Package type description code	an..17	A		The use of any code value of this codes list is allowed. 201 Pallet ISO 1 - 1/1 EURO Pallet (GS1 Temporary Code)
	1131	Code list identification code	an..17	O		
	3055	Code list responsible agency code	an..3	D	*	9 GS1 Code value 9 is only used if DE 7065 contains a GS1 code.
<p>This segment can be used to indicate the total number of packages of the consignment within the hierarchy level defined in the CPS segment. The content of each package is described in the following LIN segments.</p> <p>Example: PAC+1+ : 52 : 27+201 : : 9'</p> <p>This consignment line contains 1 EURO pallet.</p>						

Max. Occ. = Maximum Occurrence, St = Status, * = Restricted Codes
 Status: M=Mandatory, R=Required, O=Optional, D=Dependent, A=Advised, N=Not used

Segment Layout

No.	Seg	St	Max. Occ.			
23	SG10	O	9999	CPS-SG11		
	SG11	O	1	PAC-MEA-SG12-SG13		
	MEA	O	1	Measurements		
To specify physical measurements, including dimension tolerances, weights and counts.						
Business Term	DE	EDIFACT	Format	St	*	Description
	6311	Measurement purpose code qualifier	an..3	M	*	PD Physical dimensions (product ordered)
	C502	Measurement details		A		
	6313	Measured attribute code	an..3	A	*	LAY Number of layers (GS1 Temporary Code)
	C174	Value/range		R		
	6411	Measurement unit code	an..3	M		PCE Piece (GS1 Temporary Code)
Number of layers (sandwich pallet)	6314	Measurement value	an..18	R		
<p>Segmentstatus: Optional This segment is only used to indicate the number of layers of a sandwich pallet.</p> <p>Example: MEA+PD+LAY+PCE: 3' The sandwich pallet has 3 layers.</p>						

Max. Occ. = Maximum Occurrence, St = Status, * = Restricted Codes
 Status: M=Mandatory, R=Required, O=Optional, D=Dependent, A=Advised, N=Not used

Segment Layout

No. Seg	St	Max. Occ.				
24	SG10	O 9999	CPS-SG11			
	SG11	O 1	PAC-MEA-SG12-SG13			
	MEA	O 1	Measurements			
To specify physical measurements, including dimension tolerances, weights and counts.						
Business Term	DE	EDIFACT	Format	St	*	Description
	6311	Measurement purpose code qualifier	an..3	M	*	PD Physical dimensions (product ordered)
	C502	Measurement details		A		
	6313	Measured attribute code	an..3	A	*	AAB Unit gross weight
	C174	Value/range		R		
	6411	Measurement unit code	an..3	M		KGM kilogram TNE tonne (metric ton)
Gross weight of a package	6314	Measurement value	an..18	R		
<p>Segmentstatus: Optional This segment is used to provide measurements or dimensions relevant to the packaging unit described in the PAC segment.</p> <p>Example: MEA+PD+AAB+KGM:5' The gross weight is 5 kg.</p>						

Max. Occ. = Maximum Occurrence, St = Status, * = Restricted Codes
 Status: M=Mandatory, R=Required, O=Optional, D=Dependent, A=Advised, N=Not used

Segment Layout

No. Seg	St	Max. Occ.				
25	SG10	O 9999	CPS-SG11			
	SG11	O 1	PAC-MEA-SG12-SG13			
	MEA	O 1	Measurements			
To specify physical measurements, including dimension tolerances, weights and counts.						
Business Term	DE	EDIFACT	Format	St	*	Description
	6311	Measurement purpose code qualifier	an..3	M	*	PD Physical dimensions (product ordered)
	C502	Measurement details		A		
	6313	Measured attribute code	an..3	A	*	AAW Gross volume
	C174	Value/range		R		
	6411	Measurement unit code	an..3	M		LTR litre MTQ cubic metre
Volume of package	6314	Measurement value	an..18	R		
<p>Segmentstatus: Optional This segment is used to provide measurements or dimensions relevant to the packaging unit described in the PAC segment.</p> <p>Example: MEA+PD+AAW+LTR:1' The gross volume is 1 cubic metre.</p>						

Max. Occ. = Maximum Occurrence, St = Status, * = Restricted Codes
 Status: M=Mandatory, R=Required, O=Optional, D=Dependent, A=Advised, N=Not used

Segment Layout

No. Seg	St	Max. Occ.				
26	SG10	O 9999	CPS-SG11			
	SG11	O 1	PAC-MEA-SG12-SG13			
	MEA	O 1	Measurements			
To specify physical measurements, including dimension tolerances, weights and counts.						
Business Term	DE	EDIFACT	Format	St	*	Description
	6311	Measurement purpose code qualifier	an..3	M	*	PD Physical dimensions (product ordered)
	C502	Measurement details		A		
	6313	Measured attribute code	an..3	A		HT Höhenmaßangabe WD Breitenabmessung n LN Längenmaßangabe AEB Stapelhöhe
	C174	Value/range		R		
	6411	Measurement unit code	an..3	M		MMT millimetre MTR metre
Height of package	6314	Measurement value	an..18	R		
<p>Segmentstatus: Optional This segment is used to provide measurements or dimensions relevant to the packaging unit described in the PAC segment. The value of height is inclusive the height of consignment, e.g. pallet.</p> <p>Example: MEA+PD+HT+MMT:1050' The total height is 1050 mm</p>						

Max. Occ. = Maximum Occurrence, St = Status, * = Restricted Codes
 Status: M=Mandatory, R=Required, O=Optional, D=Dependent, A=Advised, N=Not used

Segment Layout

No. Seg	St	Max. Occ.				
SG10	O	9999	CPS-SG11			
SG11	O	1	PAC-MEA-SG12-SG13			
SG12	O	10	HAN			
27 HAN	M	1	Handling instructions			
To specify handling and where necessary, notify hazards.						
Business Term	DE	EDIFACT	Format	St	*	Description
	C524	Handling instructions		R		
Handling instructions	4079	Handling instruction description code	an..3	R		BIG Outsized (GS1 Temporary Code) CRU Crushable (GS1 Temporary Code) EAT Foodstuffs (GS1 Temporary Code) HWC Handle with care (GS1 Temporary Code) STR Stacking restricted (GS1 Temporary Code) UST Unstackable (GS1 Temporary Code)
	1131	Code list identification code	an..17	A		
	3055	Code list responsible agency code	an..3	D	*	9 GS1 60 Assigned by national trade agency DE 3055 must be used if DE 4079 is used and does not contain an UN/EDIFACT code.
<p>Segmentstatus: Optional This segment is used to provide handling instructions relevant to the packaging unit and level described in the PAC segment.</p> <p>Example: HAN+CRU::9' Packaging is crushable</p>						

Max. Occ. = Maximum Occurrence, St = Status, * = Restricted Codes
 Status: M=Mandatory, R=Required, O=Optional, D=Dependent, A=Advised, N=Not used

Segment Layout

No.	Seg	St	Max. Occ.			
28	SG10	O	9999	CPS-SG11		
	SG11	O	1	PAC-MEA-SG12-SG13		
	SG13	O	1000	PCI-SG15		
	PCI	M	1	Package identification		
To specify markings and labels on individual packages or physical units.						
Business Term		DE	EDIFACT	Format	St	* Description
Marking with SSCC (despatch units)		4233	Marking instructions code	an..3	R	* 33E Marked with serial shipping container code (GS1 Temporary Code)
Segmentstatus: Optional The PCI segment details markings with SSCC. Example: PCI+33E' Package identification						

Max. Occ. = Maximum Occurrence, St = Status, * = Restricted Codes
 Status: M=Mandatory, R=Required, O=Optional, D=Dependent, A=Advised, N=Not used

Segment Layout

No.	Seg	St	Max. Occ.			
	SG10	O	9999	CPS-SG11		
	SG11	O	1	PAC-MEA-SG12-SG13		
	SG13	O	1000	PCI-SG15		
	SG15	O	99	GIN		
29	GIN	M	1	Goods identity number		
To give specific identification numbers, either as single numbers or ranges.						
Business Term	DE	EDIFACT	Format	St	*	Description
	7405	Object identification code qualifier	an..3	M	*	BJ Serial shipping container code
	C208	Identity number range		M		
Serial Shipping Container Code (SSCC)	7402	Object identifier	an..35	M		
<p>Segmentstatus: Optional This segment provides the SSCC to uniquely identify individual packages.</p> <p>Example: GIN+BJ+340123450000000014' The SSCC is 340123450000000014</p>						

Max. Occ. = Maximum Occurrence, St = Status, * = Restricted Codes
 Status: M=Mandatory, R=Required, O=Optional, D=Dependent, A=Advised, N=Not used

Segment Layout

No.	Seg	St	Max. Occ.				
30	SG10	O	9999	CPS-SG11-SG17			
	CPS	M	1	Consignment packing sequence To identify the sequence in which physical packing is presented in the consignment, and optionally to identify the hierarchical relationship between packing layers.			
Business Term		DE	EDIFACT	Format	St	*	Description
Sequence of the packages (despatch units / articles)		7164	Hierarchical structure level identifier	an..35	M		Sequential numbering is recommended
Hierarchy level (despatch units / articles)		7166	Hierarchical structure parent identifier	an..35	A		
<p>Segmentstatus: Optional The line level details package and SSCC information that have not master data character. This segment is used to provide the sequence of packages within the consignment, i.e. for each package a starts a new line level by use of the CPS segment and DE 7164 is increased by 1. If for example the previous CPS segment (CPS+2+1) has been a pallet, it is possible to indicate the different layers in case of a sandwich pallet. By use of a sandwich pallet the lowest pallet is the first layer (CPS+3+2), the second layer is CPS+4+2, the third is CPS+5+2 etc. If the articles shall be described, SG10 is followed by SG17.</p> <p>Example: CPS+3+2' Sequence number three.</p>							

Max. Occ. = Maximum Occurrence, St = Status, * = Restricted Codes
 Status: M=Mandatory, R=Required, O=Optional, D=Dependent, A=Advised, N=Not used

Segment Layout

No. Seg	St	Max. Occ.			
31	SG10	O 9999	CPS-SG11-SG17		
	SG11	O 9999	PAC-MEA-SG13		
	PAC	M 1	Package		
To describe the number and type of packages/physical units.					
Business Term	DE	EDIFACT	Format	St *	Description
Number of packages (despatch units / articles)	7224	Package quantity	n..8	O	
	C531	Packaging details		A	
	7075	Packaging level code	an..3	N	
	7233	Packaging related description code	an..3	O	50 Package barcoded EAN-13 or EAN-8 52 Package barcoded UCC or EAN-128 78 Package bar-coded and EPC tagged (former 55E) 79 Package EPC tagged only (former 56E)
	7073	Packaging terms and conditions code	an..3	O	Exchange pallet: 27 Package exchangeable at the point of delivery Rented pallet: 4E Rented (GS1 Temporary Code) One way pallet: XX4 No Exchange / No Return Pallet (GS1 Temporary Code)
	C202	Package type		O	
	7065	Package type description code	an..17	A	The use of any code value of this codes list is allowed. 201 Pallet ISO 1 - 1/1 EURO Pallet (GS1 Temporary Code)
	1131	Code list identification code	an..17	O	
	3055	Code list responsible agency code	an..3	D *	9 GS1 Code value 9 is only used if DE 7065 contains a GS1 code.
<p>This segment can be used to indicate the total number of packages of the consignment within the hierarchy level defined in the CPS segment. The content of each package is described in the following LIN segments.</p> <p>Example: PAC+1+ : 52 : 27+201 : : 9'</p> <p>This consignment line contains 1 EURO pallet.</p>					

Max. Occ. = Maximum Occurrence, St = Status, * = Restricted Codes
 Status: M=Mandatory, R=Required, O=Optional, D=Dependent, A=Advised, N=Not used

Segment Layout

No. Seg	St	Max. Occ.				
32	SG10	O 9999	CPS-SG11-SG17			
	SG11	O 9999	PAC-MEA-SG13			
	MEA	O 1	Measurements			
To specify physical measurements, including dimension tolerances, weights and counts.						
Business Term	DE	EDIFACT	Format	St	*	Description
	6311	Measurement purpose code qualifier	an..3	M	*	PD Physical dimensions (product ordered)
	C502	Measurement details		A		
	6313	Measured attribute code	an..3	A	*	LAY Number of layers (GS1 Temporary Code)
	C174	Value/range		R		
	6411	Measurement unit code	an..3	M		PCE Piece (GS1 Temporary Code)
Number of layers (sandwich pallet)	6314	Measurement value	an..18	R		
<p>Segmentstatus: Optional This segment is only used to indicate the number of layers of a sandwich pallet.</p> <p>Example: MEA+PD+LAY+PCE: 3' The sandwich pallet has 3 layers.</p>						

Max. Occ. = Maximum Occurrence, St = Status, * = Restricted Codes
 Status: M=Mandatory, R=Required, O=Optional, D=Dependent, A=Advised, N=Not used

Segment Layout

No.	Seg	St	Max.	Occ.	
33	SG10	O	9999		CPS-SG11-SG17
	SG11	O	9999		PAC-MEA-SG13
	MEA	O	1		Measurements
To specify physical measurements, including dimension tolerances, weights and counts.					
Business Term	DE	EDIFACT	Format	St	* Description
	6311	Measurement purpose code qualifier	an..3	M	* PD Physical dimensions (product ordered)
	C502	Measurement details		A	
	6313	Measured attribute code	an..3	A	* AAB Unit gross weight
	C174	Value/range		R	
	6411	Measurement unit code	an..3	M	KGM kilogram TNE tonne (metric ton)
Gross weight of a package (despatch units / articles)	6314	Measurement value	an..18	R	
<p>Segmentstatus: Optional This segment is used to provide measurements or dimensions relevant to the packaging unit described in the PAC segment.</p> <p>Example: MEA+PD+AAB+KGM: 5' The gross weight is 5 kg.</p>					

Max. Occ. = Maximum Occurrence, St = Status, * = Restricted Codes
 Status: M=Mandatory, R=Required, O=Optional, D=Dependent, A=Advised, N=Not used

Segment Layout

No.	Seg	St	Max.	Occ.	
34	SG10	O	9999		CPS-SG11-SG17
	SG11	O	9999		PAC-MEA-SG13
	MEA	O	1		Measurements
To specify physical measurements, including dimension tolerances, weights and counts.					
Business Term	DE	EDIFACT	Format	St	* Description
	6311	Measurement purpose code qualifier	an..3	M	* PD Physical dimensions (product ordered)
	C502	Measurement details		A	
	6313	Measured attribute code	an..3	A	* AAW Gross volume
	C174	Value/range		R	
	6411	Measurement unit code	an..3	M	LTR litre MTQ cubic metre
Volume of package (despatch units / articles)	6314	Measurement value	an..18	R	
<p>Segmentstatus: Optional This segment is used to provide measurements or dimensions relevant to the packaging unit described in the PAC segment.</p> <p>Example: MEA+PD+AAW+LTR:1' The gross volume is 1 cubic metre.</p>					

Max. Occ. = Maximum Occurrence, St = Status, * = Restricted Codes
 Status: M=Mandatory, R=Required, O=Optional, D=Dependent, A=Advised, N=Not used

Segment Layout

No. Seg	St	Max. Occ.				
35	SG10	O 9999	CPS-SG11-SG17			
	SG11	O 9999	PAC-MEA-SG13			
	MEA	O 1	Measurements			
To specify physical measurements, including dimension tolerances, weights and counts.						
Business Term	DE	EDIFACT	Format	St	*	Description
	6311	Measurement purpose code qualifier	an..3	M	*	PD Physical dimensions (product ordered)
	C502	Measurement details		A		
	6313	Measured attribute code	an..3	A		HT Höhenmaßangabe WD Breitenabmessung n LN Längenmaßangabe AEB Stapelhöhe
	C174	Value/range		R		
	6411	Measurement unit code	an..3	M		MMT millimetre MTR metre
Height of package (despatch units / articles)	6314	Measurement value	an..18	R		
<p>Segmentstatus: Optional This segment is used to provide measurements or dimensions relevant to the packaging unit described in the PAC segment. The value of height is inclusive the height of consignment, e.g. pallet. Example: MEA+PD+HT+MMT:1050' The total height is 1050 mm</p>						

Max. Occ. = Maximum Occurrence, St = Status, * = Restricted Codes
 Status: M=Mandatory, R=Required, O=Optional, D=Dependent, A=Advised, N=Not used

Segment Layout

No. Seg	St	Max. Occ.				
36	SG10	O 9999	CPS-SG11-SG17			
	SG11	O 9999	PAC-MEA-SG13			
	MEA	O 1	Measurements			
To specify physical measurements, including dimension tolerances, weights and counts.						
Business Term	DE	EDIFACT	Format	St	*	Description
	6311	Measurement purpose code qualifier	an..3	M	*	PD Physical dimensions (product ordered)
	C502	Measurement details		A		
	6313	Measured attribute code	an..3	A	*	AAD Total gross weight
	C174	Value/range		R		
	6411	Measurement unit code	an..3	M		KGM kilogram TNE tonne (metric ton)
Gross weight of the consignment	6314	Measurement value	an..18	R		
<p>Segmentstatus: Optional This segment is used to provide measurements or dimensions relevant to the packaging unit described in the PAC segment. After the first occurrence of the CPS segment the total gross weight of the consignment is provided.</p> <p>Example: MEA+PD+AAD+KGM:10' The gross weight is 10 kg.</p>						

Max. Occ. = Maximum Occurrence, St = Status, * = Restricted Codes
 Status: M=Mandatory, R=Required, O=Optional, D=Dependent, A=Advised, N=Not used

Segment Layout

No. Seg	St	Max. Occ.				
SG10	O	9999	CPS-SG11-SG17			
SG11	O	9999	PAC-MEA-SG13			
SG13	O	1000	PCI-SG15			
37 PCI	M	1	Package identification			
To specify markings and labels on individual packages or physical units.						
Business Term	DE	EDIFACT	Format	St	*	Description
Marking with SSCC (despatch units / articles)	4233	Marking instructions code	an..3	R	*	33E Marked with serial shipping container code (GS1 Temporary Code)
Segmentstatus: Optional The PCI segment details markings with SSCC. Example: PCI+33E' Package identification						

Max. Occ. = Maximum Occurrence, St = Status, * = Restricted Codes
 Status: M=Mandatory, R=Required, O=Optional, D=Dependent, A=Advised, N=Not used

Segment Layout

No. Seg	St	Max. Occ.				
SG10	O	9999	CPS-SG11-SG17			
SG11	O	9999	PAC-MEA-SG13			
SG13	O	1000	PCI-SG15			
SG15	O	99	GIN			
38 GIN	M	1	Goods identity number			
To give specific identification numbers, either as single numbers or ranges.						
Business Term	DE	EDIFACT	Format	St	*	Description
	7405	Object identification code qualifier	an..3	M	*	BJ Serial shipping container code
	C208	Identity number range		M		
Serial Shipping Container Code (SSCC at article)	7402	Object identifier	an..35	M		
Segmentstatus: Optional This segment provides the SSCC to uniquely identify individual packages. Example: GIN+BJ+340123450000000014' The SSCC is 340123450000000014						

Max. Occ. = Maximum Occurrence, St = Status, * = Restricted Codes
 Status: M=Mandatory, R=Required, O=Optional, D=Dependent, A=Advised, N=Not used

Segment Layout

No.	Seg	St	Max.	Occ.	
	SG10	O	9999		CPS-SG11-SG17
	SG17	D	9999		LIN-PIA-QTY-DTM-MOA-SG18
39	LIN	M	1		Line item To identify a line item and configuration.
Business Term	DE	EDIFACT	Format	St	* Description
Line item number	1082	Line item identifier	an..6	R	Application generated line item number
	1229	Action request/ notification description code	an..3	N	
	C212	Item number identification		D	
GTIN	7140	Item identifier	an..35	R	GTIN, Format n..14
	7143	Item type identification code	an..3	R	* SRV GS1 Global Trade Item Number (former EN/UP)
<p>Segmentstatus: Mandatory The LIN-segment is used to specify the item being ordered. In this segment the GTIN is indicated as item identification. Additional identifications are given in the following PIA segments.</p> <p>Example: <code>LIN+1++4000004000033:SRV'</code> The ordered item with the item number 1 is identified by GTIN 4000004000035.</p>					

Max. Occ. = Maximum Occurrence, St = Status, * = Restricted Codes
 Status: M=Mandatory, R=Required, O=Optional, D=Dependent, A=Advised, N=Not used

Segment Layout

No.	Seg	St	Max. Occ.		
40	SG10	O	9999	CPS-SG11-SG17	
	SG17	D	9999	LIN-PIA-QTY-DTM-MOA-SG18	
	PIA	O	1	Additional product id	
To specify additional or substitutional item identification codes.					
Business Term	DE	EDIFACT	Format	St	* Description
	4347	Product identifier code qualifier	an..3	M	* 1 Additional identification
	C212	Item number identification		M	
Pharma Zentral Nummer (central allocated article number for pharma products)	7140	Item identifier	an..35	R	
	7143	Item type identification code	an..3	R	* PZN = Pharma Zentral Nummer (central allocated article number for pharma products)
	1131	Code list identification code	an..17	O	
	3055	Code list responsible agency code	an..3	D	* 246 GS1 Germany
<p>Segmentstatus: Optional This segment is used for additional identifications, here: PZN Example: PIA+1+1500549:PZN::246' The additional article identification is PZN "1500549".</p>					

Max. Occ. = Maximum Occurrence, St = Status, * = Restricted Codes
 Status: M=Mandatory, R=Required, O=Optional, D=Dependent, A=Advised, N=Not used

Segment Layout

No.	Seg	St	Max.	Occ.	
41	SG10	O	9999		CPS-SG11-SG17
	SG17	D	9999		LIN-PIA-QTY-DTM-MOA-SG18
	PIA	O	1		Additional product id
To specify additional or substitutional item identification codes.					
Business Term	DE	EDIFACT	Format	St	* Description
	4347	Product identifier code qualifier	an..3	M	* 1 Additional identification
	C212	Item number identification		M	
Supplier's article number	7140	Item identifier	an..35	R	
	7143	Item type identification code	an..3	R	* SA Supplier's article number
	1131	Code list identification code	an..17	O	
<p>Segmentstatus: Optional This segment is used for additional identifications, here: Supplier's article number Example: PIA+1+ABC5343:SA' The additional article identification is suppliers article number "ABC5343".</p>					

Max. Occ. = Maximum Occurrence, St = Status, * = Restricted Codes
 Status: M=Mandatory, R=Required, O=Optional, D=Dependent, A=Advised, N=Not used

Segment Layout

No.	Seg	St	Max.	Occ.	
42	SG10	O	9999		CPS-SG11-SG17
	SG17	D	9999		LIN-PIA-QTY-DTM-MOA-SG18
	PIA	O	1		Additional product id
To specify additional or substitutional item identification codes.					
Business Term	DE	EDIFACT	Format	St	* Description
	4347	Product identifier code qualifier	an..3	M	* 1 Additional identification
	C212	Item number identification		M	
HIBC	7140	Item identifier	an..35	R	
	7143	Item type identification code	an..3	R	* AC HIBC (Health Industry Bar Code)
	1131	Code list identification code	an..17	O	
<p>Segmentstatus: Optional This segment is used for additional identifications, here: HIBC (Health Industry Bar Code)</p> <p>Example: PIA+1+4000862141664:AC' The additional article identification is HIBC "4000862141664".</p>					

Max. Occ. = Maximum Occurrence, St = Status, * = Restricted Codes
 Status: M=Mandatory, R=Required, O=Optional, D=Dependent, A=Advised, N=Not used

Segment Layout

No.	Seg	St	Max.	Occ.	
43	SG10	O	9999		CPS-SG11-SG17
	SG17	D	9999		LIN-PIA-QTY-DTM-MOA-SG18
	PIA	O	1		Additional product id
To specify additional or substitutional item identification codes.					
Business Term	DE	EDIFACT	Format	St	* Description
	4347	Product identifier code qualifier	an..3	M	* 1 Additional identification
	C212	Item number identification		M	
Buyer's article number	7140	Item identifier	an..35	R	
	7143	Item type identification code	an..3	R	* IN Buyer's item number
	1131	Code list identification code	an..17	O	
<p>Segmentstatus: Optional This segment is used for additional identifications, here: Buyer's article number Example: PIA+1+ABC5343:IN' The additional article identification is buyers article number "ABC5343".</p>					

Max. Occ. = Maximum Occurrence, St = Status, * = Restricted Codes
 Status: M=Mandatory, R=Required, O=Optional, D=Dependent, A=Advised, N=Not used

Segment Layout

No.	Seg	St	Max. Occ.			
44	SG10	O	9999	CPS-SG11-SG17		
	SG17	D	9999	LIN-PIA-QTY-DTM-MOA-SG18		
	PIA	O	1	Additional product id		
To specify additional or substitutional item identification codes.						
Business Term	DE	EDIFACT	Format	St	*	Description
	4347	Product identifier code qualifier	an..3	M	*	1 Additional identification
	C212	Item number identification		M		
Batch number	7140	Item identifier	an..35	R		
	7143	Item type identification code	an..3	R	*	NB Batch number
<p>Segmentstatus: Optional This segment is used for additional identifications, here: Batch number Example: PIA+1+BA2013-123:NB' The additional article identification is Batch number "BA2013-123".</p>						

Max. Occ. = Maximum Occurrence, St = Status, * = Restricted Codes
 Status: M=Mandatory, R=Required, O=Optional, D=Dependent, A=Advised, N=Not used

Segment Layout

No.	Seg	St	Max. Occ.			
45	SG10	O	9999	CPS-SG11-SG17		
	SG17	D	9999	LIN-PIA-QTY-DTM-MOA-SG18		
	QTY	R	1	Quantity To specify a pertinent quantity.		
Business Term	DE	EDIFACT	Format	St	*	Description
	C186	Quantity details		M		
	6063	Quantity type code qualifier	an..3	M	*	12 Despatch quantity
Quantity	6060	Quantity	an..35	M		Use only numeric values.
Unit of measurement	6411	Measurement unit code	an..3	D		KGM kilogram MTR metre LTR litre PCE Piece (GS1 Temporary Code) All code values of the codes list are allowed
<p>Segmentstatus: Mandatory The QTY segment is used to specify the order quantity for the current order item, which was identified in the LIN segment. DE 6411 is only used, if the article is a variable quantity article, that is identified by GTIN or PZN. Default value is piece. In case of suppliers articelnumbers this data element must be used.</p> <p>Example: QTY+12:20' The ordered quantity amounts to 20 pieces of the article no. described in the LIN segment. (GTIN).</p>						

Max. Occ. = Maximum Occurrence, St = Status, * = Restricted Codes
 Status: M=Mandatory, R=Required, O=Optional, D=Dependent, A=Advised, N=Not used

Segment Layout

No.	Seg	St	Max.	Occ.			
46	SG10	O	9999		CPS-SG11-SG17		
	SG17	D	9999		LIN-PIA-QTY-DTM-MOA-SG18		
	DTM	O	1		Date/time/period To specify date, and/or time, or period.		
Business Term		DE	EDIFACT	Format	St	*	Description
		C507	Date/time/period		M		
		2005	Date or time or period function code qualifier	an..3	M	*	36 Expiry date
	Expiry date	2380	Date or time or period value	an..35	C		
		2379	Date or time or period format code	an..3	C		102 CCYMMDD
<p>Segmentstatus: Optional This segment is used to specify, where required, requested dates concerning the delivery of the goods, here: Expiry date. Example: DTM+36:20161026:102' This example shows the expiry date on 26th of October 2016.</p>							

Max. Occ. = Maximum Occurrence, St = Status, * = Restricted Codes
 Status: M=Mandatory, R=Required, O=Optional, D=Dependent, A=Advised, N=Not used

Segment Layout

No.	Seg	St	Max.	Occ.	
	SG10	O	9999		CPS-SG11-SG17
	SG17	D	9999		LIN-PIA-QTY-DTM-MOA-SG18
47	MOA	R	1		Monetary amount
To specify a monetary amount.					
Business Term	DE	EDIFACT	Format	St	* Description
	C516	Monetary amount		M	
	5025	Monetary amount type code qualifier	an..3	M	* 203 Line item amount
Line item amount	5004	Monetary amount	n..35	R	
<p>Segmentstatus: Mandatory</p> <p>This segment provides the total line item amount, indicated as net amounts, incl. allowances and charges excl. taxes.</p> <p>The net amount is calculated by delivered quantity * price per unit.</p> <p>Numeric values can be given either as net prices or net line amounts (price * delivery quantity). Only one method is allowed per message.</p> <p>Example: MOA+203:66'</p> <p>The line item amount is 66 EURO.</p>					

Max. Occ. = Maximum Occurrence, St = Status, * = Restricted Codes
 Status: M=Mandatory, R=Required, O=Optional, D=Dependent, A=Advised, N=Not used

Segment Layout

No.	Seg	St	Max. Occ.			
	SG10	O	9999	CPS-SG11-SG17		
	SG17	D	9999	LIN-PIA-QTY-DTM-MOA-SG18		
	SG18	O	1	RFF		
48	RFF	M	1	Reference		
To specify a reference.						
Business Term	DE	EDIFACT	Format	St	*	Description
	C506	Reference		M		
	1153	Reference code qualifier	an..3	M	*	SNR Service relation number (GS1 Temporary Code)
Patient ID (Line)	1154	Reference identifier	an..70	D		
Case number	1156	Document line identifier	an..6	D		
Segmentstatus: Optional This segmentgroup will only be used, if different orders are accumulated on invoice line level. Example: RFF+SNR:4711:1' The message references to buyers order number 4711, line 1.						

Max. Occ. = Maximum Occurrence, St = Status, * = Restricted Codes
 Status: M=Mandatory, R=Required, O=Optional, D=Dependent, A=Advised, N=Not used

Segment Layout

No.	Seg	St	Max. Occ.		
	SG10	O	9999	CPS-SG11-SG17	
	SG17	D	9999	LIN-PIA-QTY	
49	LIN	M	1	Line item To identify a line item and configuration.	
Business Term	DE	EDIFACT	Format	St *	Description
Line item number	1082	Line item identifier	an..6	R	Application generated number of the item lines within the invoice
<p>Segmentgroupstatus: Mandatory. The message must contain one line at least. The number of the first line is one (DE 1082) and will be increased by one at any following LIN segment.</p> <p>Segmentstatus: Mandatory</p> <p>This segment is used to indicate the beginning of the detail section of the Invoice message. It contains only a line number, no GTIN. The primary identification is done by PZN in the following PIA+5 segment.</p> <p>Example: LIN+2' Line number = 2</p>					

Max. Occ. = Maximum Occurrence, St = Status, * = Restricted Codes
 Status: M=Mandatory, R=Required, O=Optional, D=Dependent, A=Advised, N=Not used

Segment Layout

No. Seg	St	Max. Occ.				
50	SG10	O 9999	CPS-SG11-SG17			
	SG17	D 9999	LIN-PIA-QTY			
	PIA	R 1	Additional product id			
To specify additional or substitutional item identification codes.						
Business Term	DE	EDIFACT	Format	St	*	Description
	4347	Product identifier code qualifier	an..3	M	*	5 Product identification
	C212	Item number identification		M		
Pharmazentralnummer PZN (central allocated article number for pharma products)	7140	Item identifier	an..35	R		
	7143	Item type identification code	an..3	R	*	PZN = Pharma Zentral Nummer (central allocated article number for pharma products)
	1131	Code list identification code	an..17	O		
	3055	Code list responsible agency code	an..3	D	*	246 GS1 Germany
<p>Segmentstatus: Mandatory</p> <p>By use of DE 4347 = 5 the segment serves temporarily for primary identification purposes until GTIN is available.</p> <p>If GTIN is not indicated in the LIN segment, this code must be used. GTIN must not be used together with this code. Please notice, if this code is used, the referenced product code is the one which is invoiced.</p> <p>Code value "245" in DE 3055 shows GS1 Germany as the code responsible organisation for the use of "PZN" in DE 7143.</p> <p>Example: PIA+5+1500549:PZN::246'</p> <p>The PZN is used for primary identification.</p>						

Max. Occ. = Maximum Occurrence, St = Status, * = Restricted Codes
 Status: M=Mandatory, R=Required, O=Optional, D=Dependent, A=Advised, N=Not used

Segment Layout

No.	Seg	St	Max. Occ.				
51	SG10	O	9999	CPS-SG11-SG17			
	SG17	D	9999	LIN-PIA-QTY			
	QTY	R	1	Quantity			
	To specify a pertinent quantity.						
Business Term		DE	EDIFACT	Format	St	*	Description
		C186	Quantity details		M		
		6063	Quantity type code qualifier	an..3	M	*	12 Despatch quantity
Quantity		6060	Quantity	an..35	M		Use only numeric values.
Unit of measurement		6411	Measurement unit code	an..3	D		KGM kilogram MTR metre LTR litre PCE Piece (GS1 Temporary Code) All code values of the codes list are allowed
<p>Segmentstatus: Mandatory The QTY segment is used to specify the order quantity for the current order item, which was identified in the LIN segment. DE 6411 is only used, if the article is a variable quantity article, that is identified by GTIN or PZN. Default value is piece. In case of suppliers articelnumbers this data element must be used.</p> <p>Example: QTY+12:20' The ordered quantity amounts to 20 pieces of the article no. described in the LIN segment. (GTIN).</p>							

Max. Occ. = Maximum Occurrence, St = Status, * = Restricted Codes
 Status: M=Mandatory, R=Required, O=Optional, D=Dependent, A=Advised, N=Not used

Segment Layout

No.	Seg	St	Max.	Occ.	
	SG10	O	9999		CPS-SG11-SG17
	SG17	D	9999		LIN-PIA-QTY
52	LIN	M	1		Line item To identify a line item and configuration.
Business Term	DE	EDIFACT	Format	St	* Description
Line item number	1082	Line item identifier	an..6	R	Application generated number of the item lines within the invoice
<p>Segmentgroupstatus: Mandatory. The message must contain one line at least. The number of the first line is one (DE 1082) and will be increased by one at any following LIN segment.</p> <p>Segmentstatus: Mandatory</p> <p>This segment is used to indicate the beginning of the detail section of the despatch advice message. It contains only a line number, no GTIN. The primary identification is done by PZN in the following PIA+5 segment.</p> <p>Example: LIN+3' Line number = 3</p>					

Max. Occ. = Maximum Occurrence, St = Status, * = Restricted Codes
 Status: M=Mandatory, R=Required, O=Optional, D=Dependent, A=Advised, N=Not used

Segment Layout

No.	Seg	St	Max.	Occ.	
53	SG10	O	9999		CPS-SG11-SG17
	SG17	D	9999		LIN-PIA-QTY
	PIA	O	1		Additional product id
To specify additional or substitutional item identification codes.					
Business Term	DE	EDIFACT	Format	St	* Description
	4347	Product identifier code qualifier	an..3	M	* 5 Product identification
	C212	Item number identification		M	
Suppliers article number	7140	Item identifier	an..35	R	
	7143	Item type identification code	an..3	R	* SA Supplier's article number
<p>Segmentstatus: Mandatory</p> <p>By use of DE 4347 = 5 the segment serves temporarily for primary identification purposes until GTIN is available.</p> <p>If GTIN is not indicated in the LIN segment, this code must be used. GTIN must not be used together with this code. Please notice, if this code is used, the referenced product code is the one which is invoiced.</p> <p>Example: PIA+5+ABC1234:SA'</p> <p>The suppliers article number is used for primary identification.</p>					

Max. Occ. = Maximum Occurrence, St = Status, * = Restricted Codes
 Status: M=Mandatory, R=Required, O=Optional, D=Dependent, A=Advised, N=Not used

Segment Layout

No.	Seg	St	Max. Occ.			
54	SG10	O	9999	CPS-SG11-SG17		
	SG17	D	9999	LIN-PIA-QTY		
	QTY	R	1	Quantity To specify a pertinent quantity.		
Business Term	DE	EDIFACT	Format	St	*	Description
	C186	Quantity details		M		
	6063	Quantity type code qualifier	an..3	M	*	12 Despatch quantity
Quantity	6060	Quantity	an..35	M		Use only numeric values.
Unit of measurement	6411	Measurement unit code	an..3	D		KGM kilogram MTR metre LTR litre PCE Piece (GS1 Temporary Code) All code values of the codes list are allowed
<p>Segmentstatus: Mandatory The QTY segment is used to specify the order quantity for the current order item, which was identified in the LIN segment. DE 6411 is only used, if the article is a variable quantity article, that is identified by GTIN or PZN. Default value is piece. In case of suppliers articelnumbers this data element must be used.</p> <p>Example: QTY+12:20' The ordered quantity amounts to 20 pieces of the article no. described in the LIN segment. (GTIN).</p>						

Max. Occ. = Maximum Occurrence, St = Status, * = Restricted Codes
 Status: M=Mandatory, R=Required, O=Optional, D=Dependent, A=Advised, N=Not used

Segment Layout

No.	Seg	St	Max.	Occ.	
	SG10	O	9999		CPS-SG11-SG17
	SG17	D	9999		LIN-PIA-QTY
55	LIN	M	1		Line item To identify a line item and configuration.
Business Term	DE	EDIFACT	Format	St	* Description
Line item number	1082	Line item identifier	an..6	R	Application generated number of the item lines within the invoicer
<p>Segmentgroupstatus: Mandatory. The message must contain one line at least. The number of the first line is one (DE 1082) and will be increased by one at any following LIN segment.</p> <p>Segmentstatus: Mandatory</p> <p>This segment is used to indicate the beginning of the detail section of the despatch advice message. It contains only a line number, no GTIN. The primary identification is done by PZN in the following PIA+5 segment.</p> <p>Example: LIN+4' Line number = 4</p>					

Max. Occ. = Maximum Occurrence, St = Status, * = Restricted Codes
 Status: M=Mandatory, R=Required, O=Optional, D=Dependent, A=Advised, N=Not used

Segment Layout

No.	Seg	St	Max.	Occ.	
56	SG10	O	9999		CPS-SG11-SG17
	SG17	D	9999		LIN-PIA-QTY
	PIA	R	1		Additional product id
To specify additional or substitutional item identification codes.					
Business Term	DE	EDIFACT	Format	St	* Description
	4347	Product identifier code qualifier	an..3	M	* 5 Product identification
	C212	Item number identification		M	
Buyers article number	7140	Item identifier	an..35	R	
	7143	Item type identification code	an..3	R	* IN Buyer's item number
<p>Segmentstatus: Mandatory</p> <p>By use of DE 4347 = 5 the segment serves temporarily for primary identification purposes until GTIN is available.</p> <p>If GTIN is not indicated in the LIN segment, this code must be used. GTIN must not be used together with this code. Please notice, if this code is used, the referenced product code is the one which is invoiced.</p> <p>Example: PIA+5+DEFG789:IN'</p> <p>The buyers article number is used for primary identification.</p>					

Max. Occ. = Maximum Occurrence, St = Status, * = Restricted Codes
 Status: M=Mandatory, R=Required, O=Optional, D=Dependent, A=Advised, N=Not used

Segment Layout

No.	Seg	St	Max. Occ.				
57	SG10	O	9999	CPS-SG11-SG17			
	SG17	D	9999	LIN-PIA-QTY			
	QTY	R	1	Quantity			
	To specify a pertinent quantity.						
Business Term		DE	EDIFACT	Format	St	*	Description
		C186	Quantity details		M		
		6063	Quantity type code qualifier	an..3	M	*	12 Despatch quantity
Quantity		6060	Quantity	an..35	M		Use only numeric values.
Unit of measurement		6411	Measurement unit code	an..3	D		KGM kilogram MTR metre LTR litre PCE Piece (GS1 Temporary Code) All code values of the codes list are allowed
<p>Segmentstatus: Mandatory The QTY segment is used to specify the order quantity for the current order item, which was identified in the LIN segment. DE 6411 is only used, if the article is a variable quantity article, that is identified by GTIN or PZN. Default value is piece. In case of suppliers articelnumbers this data element must be used.</p> <p>Example: QTY+12:20' The ordered quantity amounts to 20 pieces of the article no. described in the LIN segment. (GTIN).</p>							

Max. Occ. = Maximum Occurrence, St = Status, * = Restricted Codes
 Status: M=Mandatory, R=Required, O=Optional, D=Dependent, A=Advised, N=Not used

Segment Layout

No.	Seg	St	Max. Occ.		
	SG10	O	9999	CPS-SG11-SG17	
	SG17	D	9999	LIN-PIA-QTY	
58	LIN	M	1	Line item	
To identify a line item and configuration.					
Business Term	DE	EDIFACT	Format	St *	Description
Line item number	1082	Line item identifier	an..6	R	Application generated number of the item lines within the despatch advice message
<p>Segmentgroupstatus: Mandatory. The message must contain one line at least. The number of the first line is one (DE 1082) and will be increased by one at any following LIN segment.</p> <p>Segmentstatus: Mandatory</p> <p>This segment is used to indicate the beginning of the detail section of the Invoice message. It contains only a line number, no GTIN. The primary identification is done by PZN in the following PIA+5 segment.</p> <p>Example: LIN+5' Line number = 5</p>					

Max. Occ. = Maximum Occurrence, St = Status, * = Restricted Codes
 Status: M=Mandatory, R=Required, O=Optional, D=Dependent, A=Advised, N=Not used

Segment Layout

No. Seg	St	Max. Occ.				
59	SG10	O 9999	CPS-SG11-SG17			
	SG17	D 9999	LIN-PIA-QTY			
	PIA	R 1	Additional product id			
To specify additional or substitutional item identification codes.						
Business Term	DE	EDIFACT	Format	St	*	Description
	4347	Product identifier code qualifier	an..3	M	*	5 Product identification
	C212	Item number identification		M		
Pharmazentralnummer PZN (central allocated article number for pharma products)	7140	Item identifier	an..35	R		
	7143	Item type identification code	an..3	R	*	PZN = Pharma Zentral Nummer (central allocated article number for pharma products)
	1131	Code list identification code	an..17	O		
	3055	Code list responsible agency code	an..3	D	*	246 GS1 Germany
<p>Segmentstatus: Mandatory</p> <p>By use of DE 4347 = 5 the segment serves temporarily for primary identification purposes until GTIN is available.</p> <p>If GTIN is not indicated in the LIN segment, this code must be used. GTIN must not be used together with this code. Please notice, if this code is used, the referenced product code is the one which is invoiced.</p> <p>Code value "245" in DE 3055 shows GS1 Germany as the code responsible organisation for the use of "PZN" in DE 7143.</p> <p>Example: PIA+5+1500549:PZN::246'</p> <p>The PZN is used for primary identification.</p>						

Max. Occ. = Maximum Occurrence, St = Status, * = Restricted Codes
 Status: M=Mandatory, R=Required, O=Optional, D=Dependent, A=Advised, N=Not used

Segment Layout

No. Seg	St	Max. Occ.				
60	SG10	O 9999	CPS-SG11-SG17			
	SG17	D 9999	LIN-PIA-QTY			
	PIA	O 1	Additional product id			
To specify additional or substitutional item identification codes.						
Business Term	DE	EDIFACT	Format	St	*	Description
	4347	Product identifier code qualifier	an..3	M	*	1 Additional identification
	C212	Item number identification		M		
Suppliers article number	7140	Item identifier	an..35	R		
	7143	Item type identification code	an..3	R	*	SA Supplier's article number
<p>Segmentstatus: Mandatory</p> <p>By use of DE 4347 = 5 the segment serves temporarily for primary identification purposes until GTIN is available.</p> <p>If GTIN is not indicated in the LIN segment, this code must be used. GTIN must not be used together with this code. Please notice, if this code is used, the referenced product code is the one which is invoiced.</p> <p>Example: PIA+1+ABC1234:SA'</p> <p>The suppliers article number is used for primary identification.</p>						

Max. Occ. = Maximum Occurrence, St = Status, * = Restricted Codes
 Status: M=Mandatory, R=Required, O=Optional, D=Dependent, A=Advised, N=Not used

Segment Layout

No.	Seg	St	Max.	Occ.		
61	SG10	O	9999		CPS-SG11-SG17	
	SG17	D	9999		LIN-PIA-QTY	
	PIA	O	1		Additional product id	
To specify additional or substitutional item identification codes.						
Business Term		DE	EDIFACT	Format	St	* Description
		4347	Product identifier code qualifier	an..3	M	* 1 Additional identification
		C212	Item number identification		M	
	Buyer's article number	7140	Item identifier	an..35	R	
		7143	Item type identification code	an..3	R	* IN Buyer's item number
		1131	Code list identification code	an..17	O	
<p>Segmentstatus: Optional This segment is used for additional identifications, here: Buyer's article number Example: PIA+1+ABC5343:IN' The example shows the use of buyers article number as additional article identification.</p>						

Max. Occ. = Maximum Occurrence, St = Status, * = Restricted Codes
 Status: M=Mandatory, R=Required, O=Optional, D=Dependent, A=Advised, N=Not used

Segment Layout

No.	Seg	St	Max.	Occ.	
62	SG10	O	9999		CPS-SG11-SG17
	SG17	D	9999		LIN-PIA-QTY
	PIA	O	1		Additional product id
To specify additional or substitutional item identification codes.					
Business Term	DE	EDIFACT	Format	St	* Description
	4347	Product identifier code qualifier	an..3	M	* 1 Additional identification
	C212	Item number identification		M	
HIBC	7140	Item identifier	an..35	R	
	7143	Item type identification code	an..3	R	* AC HIBC (Health Industry Bar Code)
Segmentstatus: Optional This segment is used for additional identifications, here: HIBC (Health Industry Bar Code) Example: PIA+1+4000862141664:AC' The additional article identification is HIBC "4000862141664".					

Max. Occ. = Maximum Occurrence, St = Status, * = Restricted Codes
 Status: M=Mandatory, R=Required, O=Optional, D=Dependent, A=Advised, N=Not used

Segment Layout

No.	Seg	St	Max. Occ.			
63	SG10	O	9999	CPS-SG11-SG17		
	SG17	D	9999	LIN-PIA-QTY		
	QTY	R	1	Quantity To specify a pertinent quantity.		
Business Term	DE	EDIFACT	Format	St	*	Description
	C186	Quantity details		M		
	6063	Quantity type code qualifier	an..3	M	*	12 Despatch quantity
Quantity	6060	Quantity	an..35	M		Use only numeric values.
Unit of measurement	6411	Measurement unit code	an..3	D		KGM kilogram MTR metre LTR litre PCE Piece (GS1 Temporary Code) All code values of the codes list are allowed
<p>Segmentstatus: Mandatory The QTY segment is used to specify the order quantity for the current order item, which was identified in the LIN segment. DE 6411 is only used, if the article is a variable quantity article, that is identified by GTIN or PZN. Default value is piece. In case of suppliers articelnumbers this data element must be used.</p> <p>Example: QTY+12:20' The ordered quantity amounts to 20 pieces of the article no. described in the LIN segment. (GTIN).</p>						

Max. Occ. = Maximum Occurrence, St = Status, * = Restricted Codes
 Status: M=Mandatory, R=Required, O=Optional, D=Dependent, A=Advised, N=Not used

Segment Layout

No.	Seg	St	Max.	Occ.			
64	SG10	O	9999		CPS-SG11-SG17		
	SG17	D	9999		LIN-PIA-QTY-MOA-SG25		
	LIN	M	1		Line item		
	To identify a line item and configuration.						
Business Term		DE	EDIFACT	Format	St	*	Description
Line item number		1082	Line item identifier	an..6	R		Application generated line item number
		1229	Action request/ notification description code	an..3	N		
		C212	Item number identification		D		
GTIN		7140	Item identifier	an..35	R		GTIN, Format n..14
		7143	Item type identification code	an..3	R	*	SRV GS1 Global Trade Item Number (former EN/UP)
<p>Segmentstatus: Mandatory The LIN-segment is used to specify the item being ordered. In this segment the GTIN is indicated as item identification. Additional identifications are given in the following PIA segments. The detail section always starts with the LIN-segment.</p> <p>Example: <code>LIN+1++4000004000033:SRV'</code> The ordered item with the item number 1 is identified by GTIN 4000004000035.</p>							

Max. Occ. = Maximum Occurrence, St = Status, * = Restricted Codes
 Status: M=Mandatory, R=Required, O=Optional, D=Dependent, A=Advised, N=Not used

Segment Layout

No.	Seg	St	Max. Occ.			
65	SG10	O	9999	CPS-SG11-SG17		
	SG17	D	9999	LIN-PIA-QTY-MOA-SG25		
	PIA	O	1	Additional product id		
To specify additional or substitutional item identification codes.						
Business Term	DE	EDIFACT	Format	St	*	Description
	4347	Product identifier code qualifier	an..3	M	*	1 Additional identification
	C212	Item number identification		M		
Pharma Zentral Nummer (central allocated article number for pharma products)	7140	Item identifier	an..35	R		
	7143	Item type identification code	an..3	R	*	PZN = Pharma Zentral Nummer (central allocated article number for pharma products)
	1131	Code list identification code	an..17	O		
	3055	Code list responsible agency code	an..3	D	*	246 GS1 Germany
<p>Segmentstatus: Optional This segment is used for additional identifications, here: PZN Example: PIA+1+1500549:PZN::246' The additional article identification is PZN "1500549".</p>						

Max. Occ. = Maximum Occurrence, St = Status, * = Restricted Codes
 Status: M=Mandatory, R=Required, O=Optional, D=Dependent, A=Advised, N=Not used

Segment Layout

No.	Seg	St	Max.	Occ.	
66	SG10	O	9999		CPS-SG11-SG17
	SG17	D	9999		LIN-PIA-QTY-MOA-SG25
	PIA	O	1		Additional product id
To specify additional or substitutional item identification codes.					
Business Term	DE	EDIFACT	Format	St	* Description
	4347	Product identifier code qualifier	an..3	M	* 1 Additional identification
	C212	Item number identification		M	
Suppliers article number	7140	Item identifier	an..35	R	
	7143	Item type identification code	an..3	R	* SA Supplier's article number
Segmentstatus: Mandatory					
Example: PIA+1+ABC1234:SA'					
The additional article identification is suppliers article number "ABC5343".					

Max. Occ. = Maximum Occurrence, St = Status, * = Restricted Codes
 Status: M=Mandatory, R=Required, O=Optional, D=Dependent, A=Advised, N=Not used

Segment Layout

No.	Seg	St	Max. Occ.			
67	SG10	O	9999	CPS-SG11-SG17		
	SG17	D	9999	LIN-PIA-QTY-MOA-SG25		
	PIA	O	1	Additional product id		
To specify additional or substitutional item identification codes.						
Business Term	DE	EDIFACT	Format	St	*	Description
	4347	Product identifier code qualifier	an..3	M	*	1 Additional identification
	C212	Item number identification		M		
HIBC	7140	Item identifier	an..35	R		
	7143	Item type identification code	an..3	R	*	AC HIBC (Health Industry Bar Code)
<p>Segmentstatus: Optional This segment is used for additional identifications, here: HIBC (Health Industry Bar Code)</p> <p>Example: PIA+1+4000862141664:AC' The additional article identification is HIBC "4000862141664".</p>						

Max. Occ. = Maximum Occurrence, St = Status, * = Restricted Codes
 Status: M=Mandatory, R=Required, O=Optional, D=Dependent, A=Advised, N=Not used

Segment Layout

No.	Seg	St	Max.	Occ.	
68	SG10	O	9999		CPS-SG11-SG17
	SG17	D	9999		LIN-PIA-QTY-MOA-SG25
	PIA	O	1		Additional product id
To specify additional or substitutional item identification codes.					
Business Term	DE	EDIFACT	Format	St	* Description
	4347	Product identifier code qualifier	an..3	M	* 1 Additional identification
	C212	Item number identification		M	
Buyer's article number	7140	Item identifier	an..35	R	
	7143	Item type identification code	an..3	R	* IN Buyer's item number
	1131	Code list identification code	an..17	O	
Segmentstatus: Optional This segment is used for additional identifications, here: Buyer's article number Example: PIA+1+ABC5343:IN' The example shows the use of buyers article number as additional article identification.					

Max. Occ. = Maximum Occurrence, St = Status, * = Restricted Codes
 Status: M=Mandatory, R=Required, O=Optional, D=Dependent, A=Advised, N=Not used

Segment Layout

No.	Seg	St	Max. Occ.			
69	SG10	O	9999	CPS-SG11-SG17		
	SG17	D	9999	LIN-PIA-QTY-MOA-SG25		
	QTY	R	1	Quantity To specify a pertinent quantity.		
Business Term	DE	EDIFACT	Format	St	*	Description
	C186	Quantity details		M		
	6063	Quantity type code qualifier	an..3	M	*	12 Despatch quantity
Quantity	6060	Quantity	an..35	M		Use only numeric values.
Unit of measurement	6411	Measurement unit code	an..3	D		KGM kilogram MTR metre LTR litre PCE Piece (GS1 Temporary Code) All code values of the codes list are allowed
<p>Segmentstatus: Mandatory The QTY segment is used to specify the order quantity for the current order item, which was identified in the LIN segment. DE 6411 is only used, if the article is a variable quantity article, that is identified by GTIN or PZN. Default value is piece. In case of suppliers articelnumbers this data element must be used.</p> <p>Example: QTY+12:20' The ordered quantity amounts to 20 pieces of the article no. described in the LIN segment. (GTIN).</p>						

Max. Occ. = Maximum Occurrence, St = Status, * = Restricted Codes
 Status: M=Mandatory, R=Required, O=Optional, D=Dependent, A=Advised, N=Not used

Segment Layout

No.	Seg	St	Max.	Occ.	
70	SG10	O	9999		CPS-SG11-SG17
	SG17	D	9999		LIN-PIA-QTY-MOA-SG25
	MOA	R	1		Monetary amount
To specify a monetary amount.					
Business Term	DE	EDIFACT	Format	St	* Description
	C516	Monetary amount		M	
	5025	Monetary amount type code qualifier	an..3	M	* 203 Line item amount
Line item amount	5004	Monetary amount	n..35	R	
<p>Segmentstatus: Mandatory This segment provides the total line item amount, indicated as net amounts, incl. allowences and charges excl. taxes. The net amount is calculated by delivered quantity * price per unit. Numeric values can be given either as net prices or net line amounts (price * delivery quantity). Only one method is allowed per message.</p> <p>Example: MOA+203:66' The line item amount is 66 EURO.</p>					

Max. Occ. = Maximum Occurrence, St = Status, * = Restricted Codes
 Status: M=Mandatory, R=Required, O=Optional, D=Dependent, A=Advised, N=Not used

Segment Layout

No.	Seg	St	Max. Occ.			
	SG10	O	9999	CPS-SG11-SG17		
	SG17	D	9999	LIN-PIA-QTY-MOA-SG25		
	SG25	D	1	QVR		
71	QVR	M	1	Quantity variances		
To specify item details relating to quantity variances.						
Business Term	DE	EDIFACT	Format	St	*	Description
	C279	Quantity difference information		R		
Quantity difference	6064	Quantity variance value	n..15	M		
	6063	Quantity type code qualifier	an..3	R	*	21 Ordered quantity
	4221	Discrepancy nature identification code	an..3	O		AC = Code indicating that there was an excess quantity of goods in a shipment relative to the order. BP = The shipment is incomplete, the missing quantities are to follow. CP = Shipment does not fulfil the complete order but should be considered complete. Unshipped items are not considered to be on backorder. AC Over-shipped BP Shipment partial - back order to follow CP Shipment partial - considered complete, no backorder
<p>Segmentstatus: Depending</p> <p>This segment must be used if variances exist between what was ordered and what is ready for or has been despatched.</p> <p>The quantity identified in DE 6064 must always refer to the difference between the despatched quantity identified in DE 6060 of QTY at LIN level and the ordered quantity. For negative values (e.g. damaged goods not accepted) the variance must be expressed as negative.</p> <p>Example: QVR+-4:21+BP'</p> <p>The quantity difference is 4 units.</p>						

Max. Occ. = Maximum Occurrence, St = Status, * = Restricted Codes
 Status: M=Mandatory, R=Required, O=Optional, D=Dependent, A=Advised, N=Not used

Segment Layout

No. Seg	St	Max. Occ.				
72	UNT	M 1	Message trailer To end and check the completeness of a message.			
Business Term	DE	EDIFACT	Format	St	*	Description
Total number of segments	0074	Number of segments in the message	n..6	M		
	0062	Message reference number	an..14	M		The reference number from the UNH segment must be repeated here.
<p>Segmentstatus: Mandatory This UNT segment is a mandatory UN/EDIFACT segment. It must always be the last segment in the message.</p> <p>Example: UNT+70+ME000001' The message contains 70 segments.</p>						

Max. Occ. = Maximum Occurrence, St = Status, * = Restricted Codes
 Status: M=Mandatory, R=Required, O=Optional, D=Dependent, A=Advised, N=Not used

Segment Layout

No.	Seg	St	Max.	Occ.		
73	UNZ	M	1		Interchange trailer To end and check the completeness of an interchange.	
Business Term	DE	EDIFACT	Format	St	*	Description
End of the transmission file Number of messages or message groups	0036	Interchange control count	n..6	M		Number of messages or message groups in the transmission file.
Interchange control reference, end	0020	Interchange control reference	an..14	M		Interchange control reference, identical with UNB DE 0020.
<p>Segmentstatus: Mandatory The UNZ segment is the last segment of the transmission file. Note DE 0036: If functional groups are not used, this is the number of messages within the interchange.</p> <p>Example: UNZ+1+4711' The transmission file contains 1 message.</p>						

Max. Occ. = Maximum Occurrence, St = Status, * = Restricted Codes
 Status: M=Mandatory, R=Required, O=Optional, D=Dependent, A=Advised, N=Not used

Used Codes

0001	Syntax identifier Coded identification of the agency controlling a syntax and syntax level used in an interchange. Notes: 1. a3, upper case, Controlling Agency (e.g. UNO=UN/ECE) and a1 stating level (e.g. A) (which together give UNOA).
UNOA	UN/ECE level A As defined in the basic code table of ISO 646 with the exceptions of lower case letters, alternative graphic character allocations and national or application-oriented graphic character allocations.
UNOB	UN/ECE level B As defined in the basic code table of ISO 646 with the exceptions of alternative graphic character allocations and national or application-oriented graphic character allocations.
UNOC	UN/ECE level C As defined in ISO 8859-1 : Information processing - Part 1: Latin alphabet No. 1.
UNOD	UN/ECE level D As defined in ISO 8859-2 : Information processing - Part 2: Latin alphabet No. 2.
UNOE	UN/ECE level E As defined in ISO 8859-5 : Information processing - Part 5: Latin/Cyrillic alphabet.
UNOF	UN/ECE level F As defined in ISO 8859-7 : Information processing - Part 7: Latin/Greek alphabet.
UNOG	UN/ECE level G As defined in ISO 8859-3 : Information processing - Part 3: Latin alphabet.
UNOH	UN/ECE level H As defined in ISO 8859-4 : Information processing - Part 4: Latin alphabet.
UNOI	UN/ECE level I As defined in ISO 8859-6 : Information processing - Part 6: Latin/Arabic alphabet.
UNOJ	UN/ECE level J As defined in ISO 8859-8 : Information processing - Part 8: Latin/Hebrew alphabet.
UNOK	UN/ECE level K As defined in ISO 8859-9 : Information processing - Part 9: Latin alphabet.

Used Codes

UNOW	UN/ECE level W ISO 10646-1 octet with code extension technique to support UTF-8 (UCS Transformation Format, 8 bit) encoding.
UNOX	UN/ECE level X Code extension technique as defined by ISO 2022 utilising the escape techniques in accordance with ISO 2375.
UNOY	UN/ECE level Y ISO 10646-1 octet without code extension technique.
0002	Syntax version number Version number of the syntax identified in the syntax identifier (0001) Notes: 1. Increments 1 for each version.
3	Version 3 ISO 9735 Amendment 1:1992. GS1 Description: Syntax version number 3. This code can be used with all of the character sets (A, B, C, D, E and F).
0007	Partner identification code qualifier Qualifier referring to the source of codes for the identifiers of interchanging partners. Notes: 1. Used with sender/recipient identification code.
14	GS1 Partner identification code assigned by GS1, an international organization of GS1 Member Organizations that manages the GS1 System.
0025	Recipient's reference/password qualifier Qualifier for the recipient's reference or password. Notes: 1. If specified in IA.
AA	Reference Recipient's reference/password is a reference.
BB	Password Recipient's reference/password is a password.

Used Codes

0029	<p>Processing priority code</p> <p>Code determined by the sender requesting processing priority for the interchange.</p> <p>Notes:</p> <p>1. Used if specified in IA.</p>
A	<p>Highest priority</p> <p>Requested processing priority is the highest.</p>
0031	<p>Acknowledgement request</p> <p>Code determined by the sender for acknowledgement of the interchange.</p> <p>Notes:</p> <p>1. Set = 1 if sender requests acknowledgement, i.e. UNB and UNZ segments received and identified.</p>
1	<p>Requested</p> <p>Acknowledgement is requested.</p>
0035	<p>Test indicator</p> <p>Indication that the interchange is a test.</p> <p>Notes:</p> <p>1. Set = 1 if the interchange is a test. Otherwise not used.</p>
1	<p>Interchange is a test</p> <p>Indicates that the interchange is a test.</p>
0051	<p>Controlling agency</p> <p>Code to identify the agency controlling the specification, maintenance and publication of the message type.</p>
UN	<p>UN/CEFACT</p> <p>United Nations Centre for Trade Facilitation and Electronic Business (UN/CEFACT).</p> <p>GS1 Description:</p> <p>UN Economic Commission for Europe (UN/ECE), Committee on the development of trade (TRADE), Working Party on facilitation of international trade procedures (WP.4).</p>
0052	<p>Message version number</p> <p>Version number of a message type.</p> <p>Notes:</p> <p>1. If UNG/UNE is used, shall be identical in UNG and UNE.</p> <p>The representation of 0052 was specified as n..3 in version 1 of ISO 9735.</p>

Used Codes

D	Draft version/UN/EDIFACT Directory Message approved and issued as a draft message (Valid for directories published after March 1993 and prior to March 1997). Message approved as a standard message (Valid for directories published after March 1997).
0054	Message release number Release number within the current message type version number (0052). Notes: 1. The representation of 0054 was specified as n..3 in version 1 of ISO 9735.
01B	Release 2001 - B Message approved and issued in the second 2001 release of the UNTDID (United Nations Trade Data Interchange Directory).
0057	Association assigned code A code assigned by the association responsible for the design and maintenance of the message type concerned, which further identifies the message.
EAN007	GS1 version control number (GS1 Permanent Code)
0065	Message type Code identifying a type of message and assigned by its controlling agency. Notes: 1. Type of message being transmitted.
DESADV	Despatch advice message A code to identify the despatch advice message. GS1 Description: A message specifying details for goods despatched or ready for despatch under agreed conditions. The United Nations Despatch Advice Message serves both as a specification for Delivery Despatch Advice and also as a Returns Despatch Advice message.
1001	Document name code Code specifying the document name.
351	Despatch advice Document/message by means of which the seller or consignor informs the consignee about the despatch of goods.
YA7	Consignment despatch advice (GS1 Temporary Code) Document/message by means of which the supplier informs the buyer about the despatch of goods ordered on consignment (goods to be delivered into stock with agreement on payment when goods are sold out of this stock).

Used Codes

1131	Code list identification code Code identifying a user or association maintained code list.
	Notes: 1. The codes for this data element are provided by the code list responsible agency defined in data element 3055.
23	Clearing house automated payment Self explanatory.
	Notes: This code value will be removed effective with directory D.04A. GS1 Description: Banking community' automated payment clearing system.
25	Bank identification Code for identification of banks.
	Notes: This code value will be removed effective with directory D.04A.
106	Incoterms 1980 (4110) Code to indicate applicable Incoterm (1980 edition) under which seller undertakes to deliver merchandise to buyer (ICC). Incoterms 1990: use 4053 only.
	Notes: This code value will be removed effective with directory D.04A.
132	Charge Identification of a type of charge.
	Notes: This code value will be removed effective with directory D.04A.
154	Bank branch sorting identification Identification of a specific branch of a bank.
	Notes: This code value will be removed effective with directory D.04A.
157	Clearing code Identification of the responsible bank/clearing house which has cleared or is ordered to do the clearing.
	Notes: This code value will be removed effective with directory D.04A.
166	Social security identification Code assigned by the authority competent to issue social security identification to identify a person.
	Notes: This code value will be removed effective with directory D.04A.

Used Codes

174	Citizen identification Self explanatory.
	Notes: This code value will be removed effective with directory D.04A. GS1 Description: Code issued by national authority competent to issue citizen identification to identify a person.
1E	Incoterms 1990 (GS1 Temporary Code) Incoterms 1990 as published by the International Chamber of Commerce (ICC).
2E	Incoterms 2000 (GS1 Temporary Code) Incoterms 2000 as published by the International Chamber of Commerce (ICC).
3E	Incoterms 2010 (GS1 Temporary Code) Incoterms 2010 as published by the International Chamber of Commerce (ICC).
ADR	Accord Europeen au transport international dangereuses (GS1 Temporary Code) A European agreement concerning the international carriage of dangerous goods by road.
BR	Brand (GS1 Temporary Code) An identifying mark or label on the products of a particular company, or the kind or make of a commodity.
CA	Category (GS1 Temporary Code) A class or division in a scheme of classification.
CO	Colour (GS1 Temporary Code) Description of the colour required/available on the goods.
FL	Flavor (GS1 Temporary Code) The characteristic quality of goods.
HMT	Hazardous material standard text (GS1 Temporary Code) Code indicating agreed standard text on hazardous materials.
LOC	Location Code (GS1 Temporary Code) This is a code to indicate where the EAS tag is located on the Trade Item. Values include On outside of Trade Item, Concealed inside Trade Item, Integrated Inside Trade Item.
OAG	Organic Claim Agency (GS1 Temporary Code) A governing body that creates and maintain standards related to organic products.
OCO	Organic Trade Item Code (GS1 Temporary Code) Used to indicate the organic status of a trade item or of one or more of its components.

Used Codes

OUM	Ordering unit of measure (GS1 Temporary Code) The alternate Unit of Measure of how Trade Items are ordered by the Retailer under one Unit of Measure, but sold under another Unit of Measure.
SRN	Service relation number (GS1 Temporary Code) A number used to identify a database entry which records recurring services, e.g., treatment of a patient in a hospital, usage by a member of a library facilities, etc.
ST	Style (GS1 Temporary Code) Specific or characteristic design in any goods.
SUM	Selling unit of measure (GS1 Temporary Code) Describes the measurement used for selling unit of the Trade Item to the end consumer.
SZ	Size (GS1 Temporary Code) Any of a series of graded classifications of measure into which goods are divided.
SZG	Size Group (GS1 Temporary Code) A description of the variable size that is necessary to uniquely specify the size of the item in conjunction with the nonpackaged size dimension.
TYP	Type Code (GS1 Temporary Code) This is a code to indicate the type of EAS tag located on the Trade Item. Values include Acousto-Magnetic, Electro-Magnetic, Ink or dye, Microwave, Radio Frequency.
X11	Diet Allergen (GS1 Temporary Code) Indication of which dietary or allergen marks that are on the package.
X12	Environment (GS1 Temporary Code) Indication of which environmental marks (e.g. recycling schemes) that are on trade item package.
X13	Ethical (GS1 Temporary Code) Indication of which ethical trading marks that are on the package.
X14	Free Form (GS1 Temporary Code) Indication of which free-from marks that are on the package.
X15	Expiration date (GS1 Temporary Code) Indicates the type of expiration date marked on the packaging.
X16	Nesting Direction (GS1 Temporary Code) Depicts the arrangement of two items that nest together specifically whether they nest against each other or on top of each other.
X17	Package Marks Hygienic (GS1 Temporary Code) Indication of which hygiene markings are present in the product package

Used Codes

X18	<p>Hazardous Components are Removable (GS1 Temporary Code)</p> <p>An indicator if any hazardous components contained within the trade item can easily be separated from the other materials to facilitate product recycling.</p>
X19	<p>Trade Item Has Refuse Obligations (GS1 Temporary Code)</p> <p>Indicates if there are special disposal obligations that apply to the trade item for example INTRASTAT.</p>
X20	<p>Trade Item Is Designed for Easy Disassembly (GS1 Temporary Code)</p> <p>Indicates that the trade item is designed for easy disassembly by recycling facilities using standard industry tools.</p>
X21	<p>Trade Item Is Rigid Plastic Packaging Container (GS1 Temporary Code)</p> <p>Indicates that a product is or is contained in a Rigid Plastic Packaging Container (RPPC) as defined by laws in the target market.</p>
X22	<p>Trade Item Is ROHS Compliant (GS1 Temporary Code)</p> <p>Indicates if the product is compliant with the European Union RoHS Directive.</p>
X23	<p>Trade Item Is Universal Waste (GS1 Temporary Code)</p> <p>Indicates if a product can be considered universal waste.</p>
X24	<p>Trade Item Is Consumer Upgradeable Or Maintainable (GS1 Temporary Code)</p> <p>Indicates if a product can be easily upgraded or have parts replaced by the consumer.</p>
X25	<p>Trade Item Contains Short Chain Chlorinated Paraffins (GS1 Temporary Code)</p> <p>Indicate if the trade item and/or its components contain paints, coatings, plastics or other materials containing short chain chlorinated paraffins (SCCPs).</p>
X26	<p>Trade Item Contains Pesticide (GS1 Temporary Code)</p> <p>Indicates if the trade item is advertised or labelled as a chemical or contains a chemical that is advertised or labelled to kill, repel or prevent the growth of any living organism.</p>
X27	<p>Trade Item Contains Propellant (GS1 Temporary Code)</p> <p>Indicates if a trade item contains a compressed gas or propellant.</p>
X28	<p>Trade Item Contains Polyvinyl Chloride (GS1 Temporary Code)</p> <p>Indicate if product contains Polyvinyl Chloride (PVC), a widely used thermoplastic polymer.</p>
X29	<p>Trade Item Chemical Is Not Intended For Human Consumption (GS1 Temporary Code)</p> <p>Indicates that the trade item is or contains a Liquid, Gel, Paste, Powder, or Flammable solid not intended for human consumption (ingested).</p>
X30	<p>ROHS Compliance Failure Material (GS1 Temporary Code)</p> <p>The material used in the trade item that does not comply with the ROHS Directives</p>

Used Codes

X31	<p>Packaging Terms And Condition (GS1 Temporary Code)</p> <p>Indicates if the packaging given in the described packaging configuration is a rented, exchangeable, against deposit or one way/not reusable.</p>
X32	<p>Warranty Effective Date Type (GS1 Temporary Code)</p> <p>The type of date associated with the warranty trade item usually expressed as an event date for the item for example date of purchase, date of manufacture or date of delivery.</p>
X33	<p>Warranty Type (GS1 Temporary Code)</p>
X35	<p>Warranty Constraint (GS1 Temporary Code)</p>
X36	<p>Seasonal Availability End Date (GS1 Temporary Code)</p> <p>Indicates the end date of the trade item's seasonal availability.</p>
X37	<p>Seasonal Availability Start Date (GS1 Temporary Code)</p> <p>Indicates the start date of the trade item's seasonal availability.</p>
X38	<p>Season Calendar Year (GS1 Temporary Code)</p> <p>This element indicates the calendar year in which the trade item is seasonally available.</p>
X39	<p>Season Parameter (GS1 Temporary Code)</p> <p>Indication of the season, in which the trade item is available.</p>
X40	<p>Trade Item Automatic Power Down is Enabled (GS1 Temporary Code)</p> <p>An indicator whether a product is enabled with auto power down feature when shipped to the customer.</p>
X41	<p>Electrical Usage Agency Code (GS1 Temporary Code)</p> <p>The agency that regulates electrical usage for products within a target market.</p>
X42	<p>Nesting Type (GS1 Temporary Code)</p> <p>Depicts whether a nested item fits inside or over the other item in a nesting relationship.</p>
X43	<p>Display Dimension Type Code (GS1 Temporary Code)</p> <p>Depicts certain display scenarios used for measurement.</p>
X44	<p>Manufacturer Has Take Back Program (GS1 Temporary Code)</p> <p>Indicates if the manufacturer of the trade item offers any take back programs to consumers for the product to be reused, remanufactured or recycled by the manufacturer.</p>
X45	<p>Display Resolution (GS1 Temporary Code)</p> <p>The display resolution of a television or computer display.</p>
X46	<p>Orientation Preference Sequence (GS1 Temporary Code)</p> <p>Depicts the preferred sequence of orientation used to communicate the manufacturers relative preferences of orientation.</p>
X47	<p>Orientation Type (GS1 Temporary Code)</p> <p>Depicts via code a display orientation for a trade item.</p>

Used Codes

X48	Electrical Usage Trade Item Classification Code (GS1 Temporary Code) A classification code value from a product classification scheme provided to drive required information for electrical usage.
X49	Electrical Usage Trade Item Classification Name (GS1 Temporary Code) A classification name from a product classification scheme provided to drive required information for electrical usage.
X50	Electrical Usage SubClassification Code (GS1 Temporary Code) A sub-classification code value from a product classification scheme provided to drive required information for electrical usage.
X51	Electrical Usage SubClassification Name (GS1 Temporary Code) A sub-classification name provided to drive required information for electrical usage.
X52	Confirmation Status Code (GS1 Temporary Code) The CIC Confirmation Code must be of a type of code number that can be generated automatically by a computer system.
X53	Confirmation Status Code Description (GS1 Temporary Code) Provides the code description that matches up with the Code that can possibly be generated automatically by a computer system.
X54	Additional Confirmation Status Description (GS1 Temporary Code) Provides a way to communicate human entered information that may not be covered by the machine to machine codes and descriptions.
X55	Corrective Action (GS1 Temporary Code) Provides the corrective action code to fix the issue that caused the problem.
X56	Expected Corrective Information (GS1 Temporary Code) Provides the expected corrective information via a human entered information that may not be covered by the machine to machine codes.
X57	Electrical Usage Trade Item Classification Agency (GS1 Temporary Code) A classification agency or organisation whose product classification scheme is being provided to drive required information for electrical usage.
X58	ASFIS (GS1 Permanent Code) FAO alph-3 code list for fish species identification, commercial name & scientific name.
X59	FAO fishing areas (GS1 Permanent Code) FAO fishing areas codelist.
X60	FAO Fishing gear type (GS1 Permanent Code) FAO Fishing gear type codelist.
X61	EU fish quality (GS1 Permanent Code) EU fish quality grade code list (E, A, B, C).
X62	EU fish size (GS1 Permanent Code) EU fish standardized size code list (1, 2, 3, 4, 5 & One_Size).

Used Codes

X63	EU fish presentation (GS1 Permanent Code) EU fish presentation code list (3 or 5 char alpha code).
ZZZ	Mutually defined Self explanatory. Notes: This code value will be removed effective with directory D.04A.
1153	Reference code qualifier Code qualifying a reference.
DQ	Delivery note number Reference number assigned by the issuer to a delivery note.
ON	Order number (buyer) [1022] Reference number assigned by the buyer to an order.
SNR	Service relation number (GS1 Temporary Code) A number used to identify a database entry which records recurring services, e.g., treatment of a patient in a hospital, usage by a member of a library facility, etc.
VN	Order number (supplier) Reference number assigned by supplier to a buyer's purchase order.
1225	Message function code Code indicating the function of the message.
9	Original Initial transmission related to a given transaction.
2005	Date or time or period function code qualifier Code qualifying the function of a date, time or period.
11	Despatch date and/or time (2170) Date/time on which the goods are or are expected to be despatched or shipped.
36	Expiry date Date of expiry of the validity of a referenced document, price information or any other referenced data element with a limited validity period.
137	Document/message date/time (2006) Date/time when a document/message is issued. This may include authentication.
2379	Date or time or period format code Code specifying the representation of a date, time or period.

Used Codes

2	DDMMYY Calendar date: D = Day; M = Month; Y = Year.
101	YYMMDD Calendar date: Y = Year; M = Month; D = Day.
102	CCYYMMDD Calendar date: C = Century ; Y = Year ; M = Month ; D = Day.
104	MMWW-MMWW A period of time specified by giving the start week of a month followed by the end week of a month. Data is to be transmitted as consecutive characters without hyphen.
107	DDD Day's number within a specific year: D = Day.
108	WW Week's number within a specific year: W = Week.
109	MM Month's number within a specific year: M = Month.
110	DD Day's number within is a specific month.
201	YYMMDDHHMM Calendar date including time without seconds: Y = Year; M = Month; D = Day; H = Hour; M = Minute.
203	CCYYMMDDHHMM Calendar date including time with minutes: C=Century; Y=Year; M=Month; D=Day; H=Hour; M=Minutes.
204	CCYYMMDDHHMMSS Calendar date including time with seconds: C=Century;Y=Year; M=Month; D=Day;H=Hour;M=Minute;S=Second.
401	HHMM Time without seconds: H = Hour; m = Minute.
501	HHMMHHMM Time span without seconds: H = Hour; m = Minute;.
502	HHMMSS-HHMMSS Format of period to be given without hyphen.
602	CCYY Calendar year including century: C = Century; Y = Year.
609	YYMM Month within a calendar year: Y = Year; M = Month.

Used Codes

610	CCYYMM Month within a calendar year: CC = Century; Y = Year; M = Month.
615	YYWW Week within a calendar year: Y = Year; W = Week 1st week of January = week 01.
616	CCYYWW Week within a calendar year: CC = Century; Y = Year; W = Week (1st week of January = week 01).
713	YYMMDDHHMM-YYMMDDHHMM Format of period to be given in actual message without hyphen.
715	YYWW-YYWW A period of time specified by giving the start week of a year followed by the end week of year (both not including century). Data is to be transmitted as consecutive characters without hyphen.
717	YYMMDD-YYMMDD Format of period to be given in actual message without hyphen.
718	CCYYMMDD-CCYYMMDD Format of period to be given without hyphen.
719	CCYYMMDDHHMM-CCYYMMDDHHMM A period of time which includes the century, year, month, day, hour and minute. Format of period to be given in actual message without hyphen.
720	DHHMM-DHHMM Format of period to be given without hyphen (D=day of the week, 1=Monday; 2=Tuesday; ... 7=Sunday).
801	Year To indicate a quantity of years.
802	Month To indicate a quantity of months.
803	Week To indicate a quantity of weeks.
804	Day To indicate a quantity of days.
805	Hour To indicate a quantity of hours.
806	Minute To indicate a quantity of minutes.
810	Trimester To indicate a quantity of trimesters (three months).

Used Codes

811	Half month To indicate a quantity of half months.
21E	DDHHMM-DDHHMM (GS1 Temporary Code) Format of period to be given in actual message without hyphen.
3035	Party function code qualifier Code giving specific meaning to a party.
BY	Buyer Party to whom merchandise and/or service is sold.
DP	Delivery party (3144) Party to which goods should be delivered, if not identical with consignee. GS1 Description: Party to which goods should be delivered, if not the same as the buyer.
IV	Invoicee (3006) Party to whom an invoice is issued.
SU	Supplier Party who supplies goods and/or services. GS1 Description: Party which provides service(s) and/or manufactures or otherwise has possession of goods, and consigns or makes them available in trade.
3055	Code list responsible agency code Code specifying the agency responsible for a code list.
9	GS1 GS1 (formerly EAN International), an organisation of GS1 Member Organisations, which manages the GS1 System. GS1 Description: GS1 International.
60	Assigned by national trade agency The code list is from a national agency.
246	GS1 Germany Organisation responsible for GS1 System in Germany. GS1 Description: German representative of International Article Numbering association (GS1).
3139	Contact function code Code specifying the function of a contact (e.g. department or person).
CN	Consignee (3132) Party to which goods are consigned.

Used Codes

OC	Order contact An individual to contact for questions regarding this order.
PD	Purchasing contact Department/person responsible for issuing this purchase order.
3207	Country name code Identification of the name of the country or other geographical entity as defined in ISO 3166-1. Notes: 1. Use ISO 3166-1 two alpha country code.
AD	ANDORRA
AE	UNITED ARAB EMIRATES
AF	AFGHANISTAN
AG	ANTIGUA AND BARBUDA
AI	ANGUILLA
AL	ALBANIA
AM	ARMENIA
AN	NETHERLANDS ANTILLES
AO	ANGOLA
AQ	ANTARCTICA
AR	ARGENTINA
AS	AMERICAN SAMOA
AT	AUSTRIA
AU	AUSTRALIA
AW	ARUBA
AZ	AZERBAIJAN
BA	BOSNIA AND HERZEGOVINA
BB	BARBADOS
BD	BANGLADESH
BE	BELGIUM
BF	BURKINA FASO
BG	BULGARIA
BH	BAHRAIN
BI	BURUNDI
BJ	BENIN

Used Codes

BM	BERMUDA
BN	BRUNEI DARUSSALAM
BO	BOLIVIA
BR	BRAZIL
BS	BAHAMAS
BT	BHUTAN
BV	BOUVET ISLAND
BW	BOTSWANA
BY	BELARUS
BZ	BELIZE
CA	CANADA
CC	COCOS (KEELING) ISLANDS
CD	CONGO, THE DEMOCRATIC REPUBLIC OF THE
CF	CENTRAL AFRICAN REPUBLIC
CG	CONGO
CH	SWITZERLAND
CI	COTE D'IVOIRE
CK	COOK ISLANDS
CL	CHILE
CM	CAMEROON
CN	CHINA
CO	COLOMBIA
CR	COSTA RICA
CU	CUBA
CV	CAPE VERDE
CX	CHRISTMAS ISLAND
CY	CYPRUS
CZ	CZECH REPUBLIC
DE	GERMANY
DJ	DJIBOUTI
DK	DENMARK
DM	DOMINICA
DO	DOMINICAN REPUBLIC

Used Codes

DZ	ALGERIA
EC	ECUADOR
EE	ESTONIA
EG	EGYPT
EH	WESTERN SAHARA
ER	ERITREA
ES	SPAIN
ET	ETHIOPIA
FI	FINLAND
FJ	FIJI
FK	FALKLAND ISLANDS (MALVINAS)
FM	MICRONESIA, FEDERATED STATES OF
FO	FAROE ISLANDS
FR	FRANCE
GA	GABON
GB	UNITED KINGDOM
GD	GRENADA
GE	GEORGIA
GF	FRENCH GUIANA
GH	GHANA
GI	GIBRALTAR
GL	GREENLAND
GM	GAMBIA
GN	GUINEA
GP	GUADELOUPE
GQ	EQUATORIAL GUINEA
GR	GREECE
GS	SOUTH GEORGIA AND THE SOUTH SANDWICH ISLANDS
GT	GUATEMALA
GU	GUAM
GW	GUINEA-BISSAU
GY	GUYANA
HK	HONG KONG

Used Codes

HM	HEARD ISLAND AND MCDONALD ISLANDS
HN	HONDURAS
HR	CROATIA
HT	HAITI
HU	HUNGARY
ID	INDONESIA
IE	IRELAND
IL	ISRAEL
IN	INDIA
IO	BRITISH INDIAN OCEAN TERRITORY
IQ	IRAQ
IR	IRAN, ISLAMIC REPUBLIC OF
IS	ICELAND
IT	ITALY
JM	JAMAICA
JO	JORDAN
JP	JAPAN
KE	KENYA
KG	KYRGYZSTAN
KH	CAMBODIA
KI	KIRIBATI
KM	COMOROS
KN	SAINT KITTS AND NEVIS
KP	KOREA, DEMOCRATIC PEOPLE'S REPUBLIC OF
KR	KOREA, REPUBLIC OF
KW	KUWAIT
KY	CAYMAN ISLANDS
KZ	KAZAKSTAN
LA	LAO PEOPLE'S DEMOCRATIC REPUBLIC
LB	LEBANON
LC	SAINT LUCIA
LI	LIECHTENSTEIN
LK	SRI LANKA

Used Codes

LR	LIBERIA
LS	LESOTHO
LT	LITHUANIA
LU	LUXEMBOURG
LV	LATVIA
LY	LIBYAN ARAB JAMAHIRIYA
MA	MOROCCO
MC	MONACO
MD	MOLDOVA, REPUBLIC OF
MG	MADAGASCAR
MH	MARSHALL ISLANDS
MK	MACEDONIA, THE FORMER YUGOSLAV REPUBLIC OF
ML	MALI
MM	MYANMAR
MN	MONGOLIA
MO	MACAU
MP	NORTHERN MARIANA ISLANDS
MQ	MARTINIQUE
MR	MAURITANIA
MS	MONTserrat
MT	MALTA
MU	MAURITIUS
MV	MALDIVES
MW	MALAWI
MX	MEXICO
MY	MALAYSIA
MZ	MOZAMBIQUE
NA	NAMIBIA
NC	NEW CALEDONIA
NE	NIGER
NF	NORFOLK ISLAND
NG	NIGERIA
NI	NICARAGUA

Used Codes

NL	NETHERLANDS
NO	NORWAY
NP	NEPAL
NR	NAURU
NU	NIUE
NZ	NEW ZEALAND
OM	OMAN
PA	PANAMA
PE	PERU
PF	FRENCH POLYNESIA
PG	PAPUA NEW GUINEA
PH	PHILIPPINES
PK	PAKISTAN
PL	POLAND
PM	SAINT PIERRE AND MIQUELON
PN	PITCAIRN
PR	PUERTO RICO
PS	PALESTINIAN TERRITORY, OCCUPIED
PT	PORTUGAL
PW	PALAU
PY	PARAGUAY
QA	QATAR
RE	REUNION
RO	ROMANIA
RS	SERBIA
RU	RUSSIAN FEDERATION
RW	RWANDA
SA	SAUDI ARABIA
SB	SOLOMON ISLANDS
SC	SEYCHELLES
SD	SUDAN
SE	SWEDEN
SG	SINGAPORE

Used Codes

SH	SAINT HELENA
SI	SLOVENIA
SJ	SVALBARD AND JAN MAYEN
SK	SLOVAKIA
SL	SIERRA LEONE
SM	SAN MARINO
SN	SENEGAL
SO	SOMALIA
SR	SURINAME
ST	SAO TOME AND PRINCIPE
SV	EL SALVADOR
SY	SYRIAN ARAB REPUBLIC
SZ	SWAZILAND
TC	TURKS AND CAICOS ISLANDS
TD	CHAD
TF	FRENCH SOUTHERN TERRITORIES
TG	TOGO
TH	THAILAND
TJ	TAJKISTAN
TK	TOKELAU
TM	TURKMENISTAN
TN	TUNISIA
TO	TONGA
TP	EAST TIMOR
TR	TURKEY
TT	TRINIDAD AND TOBAGO
TV	TUVALU
TW	TAIWAN, PROVINCE OF CHINA
TZ	TANZANIA, UNITED REPUBLIC OF
UA	UKRAINE
UG	UGANDA
UM	UNITED STATES MINOR OUTLYING ISLANDS
US	UNITED STATES

Used Codes

UY	URUGUAY
UZ	UZBEKISTAN
VA	HOLY SEE (VATICAN CITY STATE)
VC	SAINT VINCENT AND THE GRENADINES
VE	VENEZUELA
VG	VIRGIN ISLANDS, BRITISH
VI	VIRGIN ISLANDS, U.S.
VN	VIET NAM
VU	VANUATU
WF	WALLIS AND FUTUNA
WS	SAMOA
YE	YEMEN
YT	MAYOTTE
YU	YUGOSLAVIA
ZA	SOUTH AFRICA
ZM	ZAMBIA
ZW	ZIMBABWE

4079	Handling instruction description code Code specifying a handling instruction.
1	Heat sensitive The object is heat sensitive.
2	Store in dry environment The object must be stored in dry environment.
3	Stacked The identified item is, or can be stacked.
11	Refrigeration required Item must be refrigerated for proper handling.
12	Refrigeration not required Item does not need to be refrigerated for proper handling.
AVI	Live animal (GS1 Temporary Code)
BIG	Outsized (GS1 Temporary Code)
CRU	Crushable (GS1 Temporary Code)
DAE	Dangerous article (GS1 Temporary Code) A code indicating that an article is dangerous.

Used Codes

DCE	Delivery via distribution centre (GS1 Temporary Code)
DDE	Direct delivery (GS1 Temporary Code)
DES	Destroy (GS1 Temporary Code) The identified goods are to be destroyed according to specified instructions.
EAT	Foodstuffs (GS1 Temporary Code)
FAC	Factory package (GS1 Temporary Code) Item isn't packed for end consumer. Repacking might be necessary
FRO	Frozen (GS1 Temporary Code) The identified products is frozen and should be kept frozen.
FTD	Frost danger (GS1 Temporary Code)
HEA	Heavy cargo/150 kg and over per piece (GS1 Temporary Code)
HGA	Hanging garment (GS1 Temporary Code) The identified product(s) should be handled as a hanging garment.
HWC	Handle with care (GS1 Temporary Code)
LAB	Label (GS1 Temporary Code) The identified product is/are to be labelled.
LYG	Lying (GS1 Temporary Code) The identified product(s) should be kept in a lying position.
MF	Multiple facings (GS1 Temporary Code) The item has multiple facings (views) for presentation in the shelf.
MOV	Move (GS1 Temporary Code) The identified product is to be moved according to instructions specified.
NES	Nestable (GS1 Temporary Code) A package which can be stacked into similar package types e.g applies for dishes, plates, bowls or buckets.
NSD	Nesting depth (GS1 Temporary Code) The item can be stacked into into each other (e.g. plates, bowls or buckets). The nesting refers to the depth of the item's facing (main view).
NSH	Nesting height (GS1 Temporary Code) The item can be stacked into into each other (e.g. plates, bowls or buckets). The nesting refers to the height of the item's facing (main view).
NSW	Nesting width (GS1 Temporary Code) The item can be stacked into into each other (e.g. plates, bowls or buckets). The nesting refers to the width of the item's facing (main view).
NWP	Newspapers, magazines (GS1 Temporary Code)
OHG	Overhang item (GS1 Temporary Code)

Used Codes

PAC	Pack (GS1 Temporary Code) The identified product is to be packed according to the instructions provided.
PER	Perishable cargo (GS1 Temporary Code)
PFS	Prepare for shipment (GS1 Temporary Code) The identified product(s) is(are) to be prepared for shipment.
PIC	Pick (GS1 Temporary Temporary Code) The identified product is to be picked.
PKS	Pick in sequence (GS1 Temporary Code) The identified product is to be picked according to a specific sequence.
PSC	Pest controlling (GS1 Temporary Code)
RCY	Recyclable packaging (GS1 Temporary Code)
RES	Reserve (GS1 Temporary Code) Reserve identified goods according to specified instructions.
RFG	Flammable compressed gas (GS1 Temporary Code)
RFL	Flammable liquid (GS1 Temporary Code)
RFS	Flammable solid (GS1 Temporary Code)
RPB	Poison (GS1 Temporary Code)
SLT	Sensitive to light (GS1 Temporary Code) The product is sensitive to light.
SSN	Smell sensitive (GS1 Temporary Code)
STR	Stacking restricted (GS1 Temporary Code)
TRD	Transit or cross docking delivery (GS1 Temporary Code) The identified product is to be delivered via a transit or cross docking facility.
UNP	Unpack (GS1 Temporary Code) The identified product is to be unpacked from the identified package.
UPR	Upright/standing (GS1 Temporary Code) The identified product should be kept in an upright or standing position.
UST	Unstackable (GS1 Temporary Code)
VAL	Valuable cargo (GS1 Temporary Code)

4221

Discrepancy nature identification code
Code specifying the identification used to define the nature of a discrepancy.

1E

Back ordered from previous order (GS1 Temporary Code)
The shipment is back order delivery which relates to a previous incomplete delivery.

Used Codes

2E	Cancelled from previous order (GS1 Temporary Code) Item shipped was cancelled from a previous order.
3E	Purchase order inquiry - unshipped items only (GS1 Temporary Code) An order status enquiry has been made or is planned for all unshipped goods.
4E	Purchase order inquiry - specific items (GS1 Temporary Code) An order status enquiry has been made or is planned only for specific items.
5E	In process - scheduled to ship (date) (GS1 Temporary Code) Order is being processed, shipment is scheduled for the specified date.
AA	Item discontinued by wholesaler The wholesaler no longer offers the ordered product.
AB	Item no longer produced The item ordered has been discontinued and is no longer in production.
AC	Over-shipped Code indicating that there was an excess quantity of goods in a shipment relative to the order.
AD	Item out of stock at manufacturer The item is out of stock at manufacturer.
AE	Delivered but not advised Shipment or goods have been delivered without any advance notification of delivery.
AF	Goods delivered damaged Part or all of the goods in a shipment were delivered damaged.
AG	Delivered too late Delivered but at a later date than the delivery date under the agreed conditions or stipulated in the order.
AH	Next higher packaging quantity The ordered item has been, or is to be, packed to the next higher packaging quantity. GS1 Description: An indication from the buyer which allows the supplier to pack, if required, the ordered item to its next higher complete level of packaging.
AS	Available now - scheduled to ship (date) The material is available for shipment and is committed for shipment/delivery at a future date. GS1 Description: Back ordered product (product which has been ordered, was not delivered as scheduled but which the buyer still expects to receive at a later date) is now available and is scheduled for shipment on a specified date.
BK	Back ordered from previous order An order is being held as no material is available to fulfil the requirement. EDIFACT

Used Codes

BP	<p>Shipment partial - back order to follow</p> <p>A portion of the previous order is being held as open, as enough material was not available to fulfil the requirement.</p> <p>GS1 Description: The shipment is incomplete, the missing quantities are to follow.</p>
CC	<p>Shipment complete</p> <p>The quantity dispatched fulfilled the order quantity.</p> <p>GS1 Description: The shipment is complete.</p>
CE	<p>Shipment includes extra items to meet price break</p> <p>The quantity dispatched exceeds the order quantity to accommodate a quantity of scale price model opportunity.</p> <p>GS1 Description: An additional quantity to the quantity ordered has been added for special discounts.</p>
CK	<p>Cancelled from previous order</p> <p>Amount deleted from the earlier schedule.</p> <p>EDIFACT</p>
CM	<p>Shipment complete with additional quantity</p> <p>The quantity dispatched exceeds the ordered quantity.</p> <p>GS1 Description: The shipment is complete and includes an additional quantity.</p>
CN	<p>Next carrier, PVE - (date)</p> <p>Self explanatory.</p> <p>GS1 Description: Item will be shipped on the next available or scheduled carrier.</p>
CP	<p>Shipment partial - considered complete, no backorder</p> <p>The quantity shipped is less than the amount authorized and there is no plan to ship the remaining amount.</p> <p>GS1 Description: Shipment does not fulfil the complete order but should be considered complete. Unshipped items are not considered to be on backorder.</p>
CS	<p>Shipment complete with substitution</p> <p>The quantity and product shipped, though not exactly matching the original order, is compliant with and fulfils the expectation.</p> <p>GS1 Description: Shipment considered complete. One or more items in the order have been substituted by other items.</p>
IC	<p>Item cancelled</p> <p>The material previously ordered is no longer needed.</p> <p>GS1 Description: Item has been cancelled from the order by the buyer or supplier.</p>

Used Codes

IS	<p>Item represents substitution from original order</p> <p>The quantity and product shipped is compliant with the expectation.</p> <p>GS1 Description: Item substitutes another item originally ordered.</p>
OS	<p>Item out of stock because of strike of force majeure</p> <p>Item is not available due to strike or an unforeseeable event.</p>
OW	<p>Item out of stock at wholesaler</p> <p>Item is not available at the distribution point.</p>
PO	<p>Purchase order inquiry - unshipped items only</p> <p>The response includes information concerning all of the articles that were not dispatched and included in the prior inquiry that had been requested by the contact initiator.</p> <p>EDIFACT</p>
PP	<p>Purchase order inquiry - specific items</p> <p>The response includes information concerning a unique sub-set of the total list of articles that the contract initiator had requested information on.</p> <p>EDIFACT</p>
PS	<p>In process - scheduled to ship (date)</p> <p>This amount is being manufactured in anticipation for a possible authorization for shipment.</p> <p>EDIFACT</p>
RA	<p>Item rationed</p> <p>Product is restricted because of limited availability.</p> <p>GS1 Description: Item has been rationed, ordered quantity exceeds rationed quantity.</p>
TW	<p>Item temporarily discontinued by wholesaler</p> <p>Product is, for the time being, not available from the distribution point.</p> <p>GS1 Description: The item has been temporarily removed from the product range of the wholesaler.</p>
US	<p>Pack to closest complete logistic packaging quantity</p> <p>Pack to the closest complete logistic packaging quantity.</p> <p>GS1 Description: An indication from the buyer which allows the supplier to pack, if required, the ordered item to its closest complete level of packaging.</p>
UT	<p>Pack to next lower complete logistic quantity</p> <p>Pack to the next lower complete logistic packaging quantity.</p> <p>GS1 Description: An indication from the buyer which allows the supplier to pack, if required, the ordered item to the next lowest complete logistics packaging.</p>
4233	<p>Marking instructions code</p> <p>Code specifying instructions for marking.</p>

Used Codes

33E	Marked with serial shipping container code (GS1 Temporary Code) Indication that the serial shipping container code has been marked on a package.
4347	Product identifier code qualifier Code qualifying the product identifier.
1	Additional identification Information which specifies and qualifies product identifications.
5	Product identification The item number is for product identification.
5025	Monetary amount type code qualifier Code qualifying the type of monetary amount.
203	Line item amount Goods item total minus allowances plus charges for line item. See also Code 66.
6063	Quantity type code qualifier Code qualifying the type of quantity.
12	Despatch quantity Quantity despatched by the seller.
21	Ordered quantity The quantity which has been ordered.
6311	Measurement purpose code qualifier Code qualifying the purpose of the measurement.
PD	Physical dimensions (product ordered) Specified measurement dimensions refer to physical dimensions of a product, material or package. GS1 Description: The restriction 'product ordered' can be ignored.
6313	Measured attribute code Code specifying the attribute measured.
A	Consolidated weight The measured consolidated weight.
AAA	Unit net weight GS1 Description: Weight (mass) of the goods without any packing.

Used Codes

AAB	<p>Unit gross weight</p> <p>[6292] Weight (mass) of goods including packing but excluding the carrier's equipment.</p>
AAC	<p>Total net weight</p> <p>Total weight of goods excluding packaging.</p> <p>GS1 Description: "Total" in this code means the sum of the net weight of all items.</p>
AAD	<p>Total gross weight</p> <p>[6292] Weight (mass) of goods including packing but excluding the carrier's equipment.</p> <p>GS1 Description: "Total" in this code means the sum of the gross weight of all items.</p>
AAJ	<p>Number of units per pallet</p> <p>The number of units contained on a pallet.</p> <p>GS1 Description: An indication of the number of units on a loaded pallet. The value associated with this code is calculated by multiplying the number of units per layer by the number of layers on a pallet.</p>
AAK	<p>Fat content</p> <p>An indication of the fat content of a product.</p>
AAL	<p>Net weight</p> <p>GS1 Description: Weight (mass) of goods excluding packaging.</p> <p>GS1 usage note: The field of implementation of this code is the area of transport and related activities such as the preparation of goods into consignments for shipping.</p>
AAO	<p>Humidity</p> <p>Self-explanatory.</p>
AAP	<p>Voltage</p> <p>Self-explanatory.</p>
AAQ	<p>Power consumption</p> <p>Value of energy consumption.</p>
AAR	<p>Heat dissipation</p> <p>Self-explanatory.</p>
AAU	<p>Operative temperature</p> <p>Temperature identified system or process works according to specifications.</p>
AAW	<p>Gross volume</p> <p>The observed volume unadjusted for factors such as temperature or gravity.</p> <p>GS1 Description: The usage of this code relates to the contents, e.g. gases or liquids that expand/contract under given circumstances.</p>

Used Codes

AAX	<p>Net volume</p> <p>The observed volume after adjustment for factors such as temperature or gravity.</p> <p>GS1 Description: The usage of this code relates to the contents, e.g. gases or liquids that expand/contract under given circumstances.</p>
AAY	<p>Water content</p> <p>Water content in product.</p>
ABF	<p>Item width when unrolled</p> <p>The width of an item when unrolled.</p>
ABG	<p>Item length when unrolled</p> <p>The length of an item when unrolled.</p>
ABH	<p>Item area when unrolled</p> <p>The area occupied by an item when unrolled.</p>
ABI	<p>Original wort</p> <p>Measure of the malt and hops content of beer, before fermentation has taken place.</p>
ABJ	<p>Volume</p> <p>The amount of air space taken up by the entity identified in the 6311 qualifier.</p> <p>GS1 Description: The usage of this code relates to the cube of air that the package takes up.</p>
ABK	<p>Angle</p> <p>The angle of an object.</p> <p>EDIFACT</p>
ABL	<p>Peg hole horizontal distance from package leftmost edge</p> <p>Horizontal distance from the left most edge of the package to the center of the hole into which the peg is inserted.</p> <p>EDIFACT</p>
ABM	<p>Peg hole vertical distance from top</p> <p>Vertical distance from the top of the package to the top of the hole into which the peg is inserted.</p> <p>EDIFACT</p>
ABO	<p>Product strength, chemical</p> <p>The amount of the single active chemical ingredient within a product.</p> <p>EDIFACT</p>
ABP	<p>Product strength basis, chemical</p> <p>Amount of product used as the basis for the specification of the chemical product strenght.</p> <p>EDIFACT</p>
ABQ	<p>Percentage of alcohol (by volume)</p> <p>The percentage of alcohol contained in a liquid.</p>

Used Codes

ACG	Chargeable weight The weight on which charges are based.
ACN	Estimated gross weight Estimated weight (mass) of goods, including packing and excluding carrier's. GS1 Description: Estimated gross weight (mass) of goods, including packing and excluding carrier's equipment.
ACP	Estimated volume Estimated size or measure of anything in three dimensions. GS1 Description: The usage of this code relates to the cube of air that the package takes up.
ACV	Loading meters The length in a vehicle, whereby the complete width and height over that length is needed for the goods.
ADJ	Surface (GS1 Temporary Code) A measurement in relation a surface.
ADX	Transport container actual filling weight Actual filling weight of a transport container.
ADY	Transport container maximum capacity Maximum capacity of a transport container.
ADZ	Declared net weight The declared net weight of a product or products used for invoicing, customs or transport purposes. GS1 Description: The field of implementation of this code is the area of transport and/or customs.
AEA	Loading height Maximum height of products or packages loaded onto a given transportation device or equipment such as a pallet.
AEB	Stacking height Maximum height up to which the same product or package may be placed one upon the other for storage purposes.
AEI	Drained weight The weight of a product when all liquids used in the packaging of the product have been removed.
AEV	Acidity of juice Acid measurement of juice. GS1 Description: Acid number of juice of fruit measured with pH = 8.2.
AEW	Penetrometry Measurement of force required to drive a standard penetrating stamp.

Used Codes

AEX	Durofel Measurement of the elastic force using a standard penetrating stamp. GS1 Description: Measure of the elastic force of the pulp of a fruit. This is measured with a penetrating stamp and expressed as a percentage.
AEY	Juice weight per 100 grams Measurement of weight of juice, based on 100 grams of the entire weight. GS1 Description: Weight of juice, based on 100 grams of the entire fruit, expressed as a percentage.
AEZ	Fruit skin colour Measurement of the colouring of the epidermis of a fruit. GS1 Description: Colouring of the epidermis of a fruit measured with comparators. It indicates the maturity of the fruit or its commercial quality.
AFB	Durofel D10 Measure of the elastic force of the pulp of a fruit. It is measured with a penetrating stamp with diameter 10. GS1 Description: Measure of the elastic force of the pulp of a fruit. It is measured with a penetrating stamp with diameter 10. This measure is expressed as a percentage.
AFC	Durofel D25 Measure of the elastic force of the pulp of a fruit. It is measured with a penetrating stamp with diameter 25. GS1 Description: Measure of the elastic force of the pulp of a fruit. It is measured with a penetrating stamp with diameter 25. This measure is expressed as a percentage.
AFD	Durofel D50 Measure of the elastic force of the pulp of a fruit. It is measured with a penetrating stamp with diameter 50. GS1 Description: Measure of the elastic force of the pulp of a fruit. It is measured with a penetrating stamp with diameter 50. This measure is expressed as a percentage.
AFE	Maximum stacking weight The maximum weight which may be stacked upon a product or package without the product or packaging being crushed.
AFF	Gross measure cube The total cubic space occupied by an item, taking into account any protruding components, arrived at by multiplying the maximum length, width and height.
AFG	Percentage fat content in dry matter The percentage of fat content in dry matter.

Used Codes

AFH	Saccharometric content Measurement of the sugar content of a solution. EDIFACT
AFI	Hydrate content of an alcoholic product after bottling The hydrate content which occurs in an alcoholic product after bottling.
AFJ	Anhydrous content The non-water content. GS1 Description: Anydrous content of an alcoholic product.
AFT	Colour depth The number of distinct colours represented, e.g. in an image or in a display.
AFU	Colour depth, maximum The maximum number of distinct colours that can be represented, e.g. in an image or in a display.
AFV	Image resolution The level of detail of an image.
AFW	Device resolution, maximum The maximum level of detail produced by a device.
AFX	Acoustic absorption coefficient The portion of sound energy a surface absorbs, measured at different frequencies.
BNU	Peg hole number Used to identify the peg hole if more than one hole is present in the product or packaging.
BNV	Number of inner packs Indicates the number of non coded physical groupings (inner packs) of next lower level trade items within the current trade item level.
BNW	Number of next level trade items within inner pack The number of next lower level trade items contained within the physical non-coded grouping (inner pack).
BNX	Number of trade items per pallet layer The number of trade items contained on a single layer of a pallet.
BNY	Packed items layer Height The height of a single layer of packed items.
BNZ	Packing material weight, skin tight covering The weight measurement of the packing material used for skin tight covering (e.g. when packaging prepared meats, poultry, cheese, and other food products).

Used Codes

BRB	Components labelled for recycling percentage Percentage of trade item components that clearly label how to facilitate product disassembly and recycling.
BRC	Renewable plastic components percentage, by net weight The percentage of the plastic components only made from rapidly renewable plant-based material by net weight of product.
BRD	Clamp pressure, required The pressure that should be applied by a clamp.
BUP	Number of base units per pallet (GS1 Temporary Code) The number of base units contained in a pallet.
CF1	Colony forming Unit (GS1 Temporary Code) Micro-organism colonies that are to be counted under determined conditions.
CT	Contents of package In combination with the other data elements of the actual segment this code indicates the measured content of a package.
DBX	Degree BRIX (GS1 Temporary Code) The rate of sugar.
DI	Diameter Diameter of an article.
DLL	Diluted liquid (GS1 Temporary Code) The volume of liquid which results after a dilution agent has been added, e.g. undiluted orange juice of 200ml, after dilution with water the volume of diluted liquid equals 1 litre.
DN	Density The measured density.
DP	Depth The measured depth.
ENE	Energy efficiency (GS1 Temporary Code) A measurement of the energy efficiency of an article.
G	Gross weight [6292] Weight (mass) of goods including packing but excluding the carrier's equipment. GS1 Description: The field of implementation of this code is the area of transport and related activities such as the preparation of goods into consignments for shipping.
HT	Height dimension Numeric value of height.
HYE	Hydrate content (GS1 Temporary Code) Hydrate content of an alcoholic product.

Used Codes

ID	<p>Inside diameter</p> <p>The measured inside diameter.</p> <p>GS1 Description: A measurement of the inside diameter of a roll, tube, pipe, or circle.</p>
LAY	<p>Number of layers (GS1 Temporary Code)</p> <p>Number of layers of a product or products within a package, container, pallet, etc.</p> <p>GS1 Description: Number of layers of a product or products within a package, container, pallet, etc.</p>
LN	<p>Length dimension</p> <p>(6168) Length of pieces or packages stated for transport purposes.</p>
MDM	<p>Maximum demand (GS1 Temporary Code)</p> <p>The highest demand recorded during the period of recording of usage of the supply.</p>
NPL	<p>Number of layers per pallet (GS1 Temporary Code)</p> <p>The number of layers per pallet.</p>
NPP	<p>Number of pallet places (GS1 Temporary Code)</p> <p>The number of pallet places needed to store or transport pallets (can be stacked).</p>
OD	<p>Outside diameter</p> <p>The measured outside diameter.</p> <p>GS1 Description: A measurement of the outside diameter of a roll, tube, pipe, or circle.</p>
PMC	<p>Package net measurement cube (GS1 Temporary Code)</p> <p>An indication of the net cubed measurement of a package.</p>
PWF	<p>Power factor (GS1 Temporary Code)</p> <p>The ration of the power dissipated (active power in kW) to the total power (which is the product of the input volts times amps given in kVa). When equipment which uses reactive power is being operated the power factor will be less than one.</p>
RA	<p>Relative humidity</p> <p>The measured relative humidity.</p>
RJ	<p>Rockwell C</p> <p>Hardness in the Rockwell C scale.</p>
SAA	<p>Product strength (GS1 Temporary Code)</p> <p>Product strength expressed as the absolute value of the active ingredient's amount.</p>
SCC	<p>Saccharometric content (GS1 Temporary Code)</p> <p>Saccharometric content of an alcoholic product.</p>

Used Codes

SF	Stacking factor excluding bottom item (GS1 Temporary Code) Maximum number of items stackable upon each other, excluding the bottom item.
SPG	Specific gravity (GS1 Temporary Code)
SPV	Product strength basis (GS1 Temporary Code) Product measurement basis that contains the product strength.
SSZ	Step size (GS1 Temporary Code) An indication of measurements in which options contained within a Customer Specific Article are available, e.g. 10 metre planks of wood may be sold in step sizes of 2 metres.
T	Tare weight Weight excluding goods and loose accessories.
TC	Temperature A measurement in relation to temperature.
TH	Thickness The measured thickness.
TN	Time period Measurement of a specific length of time.
UCO	Units per package (GS1 Temporary Code) The number of identified units per package.
ULY	Number of units per layer (GS1 Temporary Code) Number of units of a product or package within one layer of a package, container, pallet, etc.
WD	Width dimension Numeric value of width.
WRM	Weight per running metre (GS1 Temporary Code) A code used to indicate the weight per running metre of floor coverings over floor area.
WSM	Weight per square metre (GS1 Temporary Code) A code used to indicate the weight per square metre of floor coverings over floor area.
X01	Acidity of meat (1 hour after slaughtering) The meat's acid quality or condition expressed as a pH value measured 1 hour after slaughtering.
X02	Acidity of meat (12 hours after slaughtering) The meat's acid quality or condition expressed as a pH value measured 12 hours after slaughtering.
X03	Acidity of meat (24 hours after slaughtering) The meat's acid quality or condition expressed as a pH value measured 24 hours after slaughtering.

Used Codes

X04	Acidity of meat (36 hour(s) after slaughtering) The meat's acid quality or condition expressed as a pH value measured 36 hours after slaughtering.
X05	Acidity of meat (48 hour(s) after slaughtering) The meat's acid quality or condition expressed as a pH value measured 48 hours after slaughtering.
X11	Angle (GS1 Temporary Code) The angle of an object.
X12	Area (GS1 Temporary Code) The area occupied by an item.
X13	Acidity of meat (GS1 Temporary Code) The meat's acid quality or condition expressed as a pH value.
X16	Slaughtering weight (GS1 Temporary Code) Warm weight after slaughter
X17	Stacking factor including bottom item (GS1 Temporary Code) Maximum number of items stackable upon each other, including the bottom item.
X1E	Number of units in the width of a layer (GS1 Temporary Code) Number of units of a product or package which make up the width of a layer in a package, container, pallet, etc.
X2E	Number of units in the depth of a layer (GS1 Temporary Code) Number of units of a product or package which make up the depth of a layer in a package, container, pallet, etc.
X6E	Nestable percentage (GS1 Temporary Code) Extent expressed as a percentage to which an item can be nested within an identical item.
X7E	Gross weight including carrier's equipment (GS1 Temporary Code) Weight (mass) of goods including packaging and the carrier's equipment. In this context 'carrier's equipment' means any material resources necessary to facilitate the transport and handling of the goods without having the ability to move by its own propulsion, e.g. pallet, container, etc. GS1 usage Note The field of implementation of this code is the area of transport and related activities such as the preparation of goods into consignments for shipping.
X8E	Peg hole horizontal distance from package leftmost edge (GS1 Temporary Code) Horizontal distance from the left most edge of the package to the center of the hole into which the peg is inserted.
X9E	Peg hole vertical distance from top (GS1 Temporary Code) Vertical distance from the top of the package to the top of the hole into which the peg is inserted.

Used Codes

ZWA	Waste content The measured waste content.
6411	Measurement unit code Code specifying the unit of measurement. Notes: 1. Recommend use UN/ECE Recommendation 20, Common code.
001	Barrel (205 litres, 45 gallons) (GS1 Temporary Code)
002	Degree days (GS1 Temporary Code)
003	Gigacaloric (GS1 Temporary Code)
04	small spray
23	gram per cubic centimetre GS1 Description: g/cm ³ as a unit of measure for the density of gas. This is necessary for dangerous substance articles for determination of the quantities that can be stored together on the shelf.
25	gram per square centimetre GS1 Description: A measure of weight in terms of gram per square centimetre.
28	kilogram per square metre GS1 Description: Unit of measure expressed in kilogram per square metre.
37	ounce per square foot
59	part per million
64	Pound per square inch, gauge A unit of measure expressed in pound per square inch
2N	decibel
2X	metre per minute GS1 Description: A measure of speed in terms of metres per minute.
4K	milliampere
4L	megabyte GS1 Description: A unit of computer memory equal to 1.048.576 (i.e. 2 power 20) bytes.
40	microfarad GS1 Description: One millionth of a farad. A farad is the capacitance of a capacitor between the plates of which a potential of 1 volt is created by a charge of 1 Coulomb.
4P	newton per metre
A25	cheval vapeur

Used Codes

A86	gigahertz GS1 Description: Hertz multiplied by 10*9.
A99	Bit A unit of information equal to one binary digit.
ACR	acre GS1 Description: Acre (4840 yd2)
AD	byte GS1 Description: A unit of information stored in a computer, equal to eight bits.
AMH	ampere hour GS1 Description: Ampere-hour (3,6kC)
AMP	ampere
AMT	Amount (GS1 Temporary Code) A measurement of monetary amount.
ANN	year GS1 Description: The expression of a year as a measure unit.
APX	Troy ounce (31.10348 g) (GS1 Temporary Code)
APZ	Troy ounce or apothecary ounce EDIFACT
ASM	alcoholic strength by mass GS1 Description: Alcoholic strength expressed by mass.
ASU	alcoholic strength by volume GS1 Description: Alcoholic strength expressed by volume.
AV	capsule GS1 Description: Encapsulated dosage form for pharmaceuticals.
B13	Joule per square metre A unit of measure of heat energy expressed in joule per square metre.
B17	Credit A unit of count defining the number of entries made to the credit side of an account.
BAR	bar GS1 Description: A unit of measure equal to 106 dines per square centimeter.
BTU	British thermal unit GS1 Description: British thermal unit (1,055 kilojoules)

Used Codes

C0	call GS1 Description: Unit of measure for telephone calls. Code value is C0 (C Zero).
C60	ohm centimetre GS1 Description: Unit of measure expressed in Ohm centimetre.
C79	Kilovolt Ampere Hour A unit of accumulated energy of 1000 volt amperes over a period of one hour. EDIFACT
CDL	candela GS1 Description: Unit of measure of light intensity.
CEL	degree celsius
CF2	Colony forming unit per gram (GS1 Temporary Code) Colony forming units per gram is a unit of measure for micro-organisms, such as bacteria, in a food item. Micro-organisms form colonies that are be counted under determined conditions
CLT	centilitre GS1 Description: A unit of volume equal to one hundredth of a liter.
CMK	square centimetre
CMQ	cubic centimetre GS1 Description: A system of units for the measurement of volume based on the cubic centimetre.
CMT	centimetre
D19	Square metre kelvin per watt Unit of measure of thermal insulance expressed in square metre kelvin per watt.
D21	square metre per kilogram GS1 Description: Unit of measure expressed in square metre per kilogram.
D32	Terawatt hour A unit of measure expressed in terawatt hour
D5	Kilogram per square centimetre A unit of measure expressed in kilogram per square centimetre
D55	Watt per square metre kelvin Unit of measure of thermal conductance expressed in watt per square metre kelvin.
D68	Number of Words A unit of count defining the number of words. EDIFACT

Used Codes

DAY	day GS1 Description: The expression of a day as a measure unit.
DD	degree GS1 Description: Unit of measure of temperature.
DMQ	cubic decimetre GS1 Description: Unit of measure expressed in cubic decimetre.
DMT	decimetre
DOS	Dose (GS1 Temporary Code) An amount of medicine, etc administered at one time.
DRG	Dragée (GS1 Temporary Code) Number of dragées (coated tablets) contained in the item's package as a measurement unit.
DZN	dozen GS1 Description: A unit of measure of 12 or group of 12.
E09	Milliampere hour A unit of power load delivered at the rate of one thousandth of an ampere over a period of one hour. EDIFACT
E10	Degree day A unit of measure used in meteorology and engineering to measure the demand for heating or cooling over a given period of days. EDIFACT
E11	Gigacalorie A unit of heat energy equal to one thousand million calories. EDIFACT
E27	Dose A unit of count defining the number of doses (dose: a definite quantity of a medicine or drug). EDIFACT
E31	Square metre per litre A unit of count defining the number of square metres per litre. EDIFACT
E32	Litre per hour A unit of count defining the number of litres per hour. EDIFACT
E34	Gigabyte A unit of information equal to 10 E9 bytes.

Used Codes

E37	Pixel A unit of count defining the number of pixels (pixel: picture element).
E38	Megapixel A unit of count equal to 10 E6 (1000000) pixels (picture elements).
E39	Dots per inch A unit of information defining the number of dots per linear inch as a measure of the resolution or sharpness of an image. GS1 Description: synonym: pixels per inch.
EA	each
EV	envelope GS1 Description: A unit of measure pertaining to the number of envelopes.
FAH	degree Fahrenheit
FOT	foot GS1 Description: Foot (0,3048 m)
FP	Pound per square foot A unit of measure expressed in pound per square foot
FTK	Square foot A unit of measure expressed in square foot
FTQ	cubic foot
GL	gram per litre
GLI	gallon (UK) GS1 Description: Gallon (4,546092 dm ³)
GM	gram per square metre GS1 Description: Unit of measure of grams per square metre.
GRM	gram
GRO	gross GS1 Description: A unit of measure of 12 dozens.
GV	gigajoule
GWH	gigawatt hour GS1 Description: Gigawatt-hour (1 million kW/h)
H87	Piece A unit of count defining the number of pieces (piece: a single item, article or exemplar). EDIFACT

Used Codes

HLT	hectolitre
HMT	hectometre A unit of linear measure equal to 10 E2 metres.
HTZ	hertz GS1 Description: One cycle per second.
HUR	hour
INH	inch GS1 Description: Inch (25,4 mm)
INK	Square inch A unit of measure expressed in square inch
JM	Megajoule per cubic metre EDIFACT
JOU	joule
K51	Kilocalorie (mean) EDIFACT
KAH	Kilovolt Ampere Hour (GS1 Temporary Code) A unit of measure expressed in Kilovolt Ampere Hour.
KB	kilocharacter
KBA	kilobar
KCL	Kilocalorie (GS1 Temporary Code) Unit of measure for the calorific value of the item (= 1000 cal).
KEL	kelvin
KGM	kilogram
KHZ	kilohertz
KJO	kilojoule
KL	kilogram per metre GS1 Description: A measure of weight in terms of kilogram per metre.
KMH	kilometre per hour GS1 Description: A unit of measure expressed in kilometre per hour.
KMQ	kilogram per cubic metre GS1 Description: A measure of weight in terms of kilogram per cubic metre.
KPA	kilopascal GS1 Description: Unit of measure expressed in kilopascal.

Used Codes

KTM	kilometre
KVA	kilovolt - ampere GS1 Description: A unit of electric power.
KVT	kilovolt
KWH	kilowatt hour
KWT	kilowatt
L2	litre per minute GS1 Description: Unit of measure expressed in litre per minute.
LBR	Pound EDIFACT
LD	Litre per day A unit of measure defining the number of litres per day.
LIH	Litre per hour (GS1 Temporary Code) Unit of measure expressed in litre per hour.
LNE	Printed line count (GS1 Temporary Code) The indication of the count of printed lines included on a paper communication (e.g. telegram) for invoicing purposes.
LTR	litre GS1 Description: Litre (1 dm ³)
LUX	lux GS1 Description: Unit of measure of illumination (it corresponds to the illumination of a surface which normally and uniformly receives a light flow of 1 lumen per square meter).
M4	Monetary value A unit of measure expressed as a monetary amount. EDIFACT
MAL	mega litre
MAW	megawatt
MC	microgram One millionth of a gram.
MCU	millicurie GS1 Description: Unit of measure for radioactivity.
MGM	milligram
MHZ	megahertz
MIN	minute

Used Codes

MLT	millilitre
MMK	square millimetre GS1 Description: A unit to measure a surface equal to one millionth of a quadrate.
MMQ	cubic millimetre GS1 Description: A unit of measure expressed in cubic milimetres.
MMT	millimetre
MON	month GS1 Description: The expression of a month as a measure unit.
MPA	megapascal GS1 Description: A unit of measure expressed in Megapascal.
MQH	Cubic metre per hour A unit of measure defining the number of cubic metres per hour.
MTA	Micro farad (GS1 Temporary Code) One millionth of a farad. A farad is the capacitance of a capacitor between the plates of which a potential of 1 volt is created by a charge of 1 Coulomb.
MTK	square metre
MTQ	cubic metre
MTR	metre
MTS	Metre per second A unit of speed expressed in metres per second.
MWH	megawatt hour (1000 kW.h)
NAR	number of articles
NEW	newton GS1 Description: The SI unit of force, equal to the force that would give a mass of one kilogram an acceleration of one metre per second.
NIU	number of international units A unit of count defining the number of international units.
NRL	number of rolls
ONZ	ounce GS1 Description: Ounce GB, US (28,349523 g)
OZA	fluid ounce (US) GS1 Description: Fluid ounce US (29,5735 cm ³)

Used Codes

OZI	fluid ounce (UK) GS1 Description: Fluid ounce UK (28,413 cm3)
PI	percent GS1 Description: This code is used to indicate measurements in terms of percentages, e.g. the relative humidity (code RA in data element 6313) is 52%.
PA	packet
PAL	pascal GS1 Description: The SI unit of pressure, equal to one Newton per square metre.
PCE	Piece (GS1 Temporary Code)
PF	pallet (lift) GS1 Description: A number of articles expressed in terms of pallets.
PND	Pound (GS1 Temporary Code)
PR	pair GS1 Description: Two articles which belong together but are not necessarily identical.
PTI	pint (UK) GS1 Description: Pint UK (0,568262 dm3)
PTN	Portion (GS1 Temporary Code) The identification of the number of portions (doses in medical terms) into which a complete product may be broken into for serving purposes, e.g. a pie with 6 portions, a liquid medicine with 20 doses.
QAN	quarter (of a year)
QTI	quart (UK) GS1 Description: Quart UK (1,1136523 dm3)
RJH	Decanewton (GS1 Temporary Code) A unit of force equal to 10 Newton.
RPM	revolutions per minute
RTO	Ratio (GS1 Temporary Code)
SEC	second
SMI	Mile (statute mile) A unit of measure expressed in mile
SML	Square metre per litre (GS1 Temporary Code) Unit of measure expressed in square metre per litre.
ST	sheet

Used Codes

TNE	tonne (metric ton) GS1 Description: Metric ton (1000kg)
U2	tablet A unit of count defining the number of tablets (tablet: a small flat or compressed solid object). GS1 Description: Dosage form for pharmaceuticals, pressed or compacted from a powder into a solid dose.
UI	Unit of activity, predefined (GS1 Temporary Code) A measure pertaining to a predefined activity.
VI	vial GS1 Description: Small glass container. E.g. for a liquid medicine or perfume.
VLT	volt
WHR	watt hour
WRD	Word (GS1 Temporary Code) The specification of a word as a measurement unit, e.g. 21 words in a telex.
WTT	watt
YDK	Square yard A unit of measure expressed in square yard
YRD	yard GS1 Description: Yard (0,9144 m)
ZE	Milliampere hour (GS1 Temporary Code) A practical unit of quantity of electricity; the quantity that flows in one hour through a conductor carrying a current of 1 Ampere. 1 Ampere-hour is the equivalent to 36000 Coulombs.
ZP	page GS1 Description: The indication of a page as a measurement unit for invoicing purposes, e.g. fax pages.
7065	Package type description code Code specifying the type of package. Notes: 1. Recommend use UN/ECE Recommendation No. 21 (also, see current volume of UNTDED).
08	Oneway pallet (GS1 Temporary Code) Pallet need not be returned to the point of expedition.
09	Returnable pallet (GS1 Temporary Code) Pallet must be returned to the point of expedition.

Used Codes

200	Pallet ISO 0 - 1/2 EURO Pallet (GS1 Temporary Code) Standard pallet with dimensions 80 X 60 cm.
201	Pallet ISO 1 - 1/1 EURO Pallet (GS1 Temporary Code) Standard pallet with dimensions 80 X 120 cm.
202	Pallet ISO 2 (GS1 Temporary Code) Standard pallet with dimensions 100 X 120 cm.
203	1/4 EURO Pallet (GS1 Temporary Code) Standard pallet with dimensions 60 X 40 cm.
204	1/8 EURO Pallet (GS1 Temporary Code) Standard pallet with dimensions 40 X 30 cm.
205	Synthetic pallet ISO 1 (GS1 Temporary Code) A standard pallet with standard dimensions 80*120cm made of a synthetic material for hygienic reasons.
206	Synthetic pallet ISO 2 (GS1 Temporary Code) A standard pallet with standard dimensions 100*120cm made of a synthetic material for hygienic reasons.
210	Wholesaler pallet (GS1 Temporary Code) Pallet provided by the wholesaler.
211	Pallet 80 X 100 cm (GS1 Temporary Code) Pallet with dimensions 80 X 100 cm.
212	Pallet 60 X 100 cm (GS1 Temporary Code) Pallet with dimensions 60 X 100 cm.
5L	Bag, textile GS1 Description: A bag made of textile.
5M	Bag, paper GS1 Description: A bag made of paper.
AE	Aerosol A spray can dispensing paint, furniture polish, etc, under pressure.
AH	Pallet 100cms * 110cms Standard sized pallet of dimensions 100centimeters by 110 centimeters (cms). EDIFACT
AI	Clamshell EDIFACT
APE	Aluminium packed (GS1 Temporary Code) Packaging using thin sheets of aluminium.
AT	Atomizer A device to shoot out a fine spray, e.g. medicine, perfume, etc.

Used Codes

BA	Barrel A wooden or plastic container with slightly bulging sides and flat ends.
BC	Bottlecrate, bottlerack A container for the storage or movement of bottles.
BE	Bundle A number of items grouped loosely together in a package by means of tying.
BG	Bag A non-rigid container made of fabric, paper, plastic, etc, with an opening at the top which can be closed.
BGE	Large bag, pallet sized (GS1 Temporary Code) A non-rigid container made of fabric, paper, plastic, etc, with an opening at the top which can be closed and which is suitable for use on pallets.
BJ	Bucket A container with a handle, used for carrying water, mayonnaise, etc.
BL	Bale, compressed A large bundle, as of cotton, hay, straw, etc, which is compressed and bound.
BM	Basin GS1 Description: A deep open container.
BME	Blister pack (GS1 Temporary Code) A transparent strip package of pressable plastic which allows the product to be displayed while remaining protected.
BN	Bale, non-compressed A large bundle, as of cotton, hay, straw, etc, which is not compressed or bound.
BO	Bottle, non-protected, cylindrical A non-protected cylindrical container with a narrow neck made usually of glass or plastic which is especially used for liquids.
BR	Bar An oblong package, usually used for soap.
BRI	Brick (GS1 Temporary Code) A box made of a cardboard, plastic or metal, used for liquids.
BS	Bottle, non-protected, bulbous A non-protected cylindrical container with a bulbous base and a narrow neck made usually of glass or plastic which is especially used for liquids.
BU	Butt A large barrel or cask which is usually used to store or move liquids.
BX	Box A lidded package which can be made of cardboard, wood, plastic, tin, etc.

Used Codes

CA	Can, rectangular A rectangular container which is usually made of metal and has a separate cover.
CBL	Container bottle like (GS1 Temporary Code) A non-protected, non-cylindrical, container with a narrow neck made usually of glass or plastic which is especially used for liquids, e.g. perfume bottle.
CCE	Cardboard carrier (GS1 Temporary Code) A package made of cardboard.
CD	Can, with handle and spout GS1 Description: A can with a handle and spout which allows the lifting and pouring of liquids contained within the can.
CG	Cage A cage without wheels.
CM	Card A flat package usually made of fibreboard from/to which the product is often hung or attached. EDIFACT
CMS	Clamshell (GS1 Temporary Code) A package with a base and top that are hinged together. E.g. video cassette case.
CN	Container, not otherwise specified as transport equipment GS1 Description: A receptacle in which something is kept and/or transported.
CR	Crate A packaging case which is usually made of wooden slats.
CS	Case A package such as a box.
CT	Carton A cardboard box or container.
CU	Cup A small bowl shaped container for beverages, often with a handle.
CW	Cage, roll GS1 Description: A three sided cage mounted on wheels.
CX	Can, cylindrical A cylindrical container which is usually made of metal and has a separate cover.
CY	Cylinder A cylindrical container, which is usually made of cardboard and may have a separate cover.

Used Codes

D99	Sleeve A non-rigid container made of paper, cardboard or plastic that is open-ended and is slid over the contents for protection or presentation.
DA	Crate, multiple layer, plastic GS1 Description: Plastic crate which contains multiple layers.
DB	Crate, multiple layer, wooden GS1 Description: Wooden crate which contains multiple layers.
DC	Crate, multiple layer, cardboard
DG	Cage, Commonwealth Handling Equipment Pool (CHEP)
DH	Box, Commonwealth Handling Equipment Pool (CHEP), Eurobox
DJ	Demijohn, non-protected A large bulbous container made of glass with a narrow neck, which is especially used with liquids (oil, wine).
DK	Crate, bulk, cardboard
DL	Crate, bulk, plastic
DM	Crate, bulk, wooden
DN	Dispenser
DP	Demijohn, protected A large bulbous protected container made of glass with a narrow neck, which is especially used with liquids (oil, wine).
DPE	Display package (GS1 Temporary Code) A package used for the display of goods, usually during a promotion.
DR	Drum A cylindrical container usually used for the storage and movement of oil.
DS	Tray, one layer no cover, plastic
DT	Tray, one layer no cover, wooden
DU	Tray, one layer no cover, polystyrene
DV	Tray, one layer no cover, cardboard
DW	Tray, two layers no cover, plastic tray
DX	Tray, two layers no cover, wooden
DY	Tray, two layers no cover, cardboard
EC	Bag, plastic
ED	Case, with pallet base
EE	Case, with pallet base, wooden
EF	Case, with pallet base, cardboard

Used Codes

EG	Case, with pallet base, plastic
EH	Case, with pallet base, metal
EI	Case, isothermic
EN	Envelope A non-rigid container, made of paper or plastic, that can be opened with a tear or a cut.
FOB	Folding box (GS1 Temporary Code) Folded cardboard box e.g for products like frozen vegetables, paper clips
FP	Filmpack Packaging using a clear thin plastic.
FPE	Foil packed (GS1 Temporary Code) Packaging using a metallic foil.
FT	Foodtainer
GB	Bottle, gas
HA	Basket, with handle, plastic
HB	Basket, with handle, wooden
HC	Basket, with handle, cardboard
HR	Hamper A large basket usually with a cover which is used to store different types of foodstuffs.
IA	Package, display, wooden
IB	Package, display, cardboard
IC	Package, display, plastic
ID	Package, display, metal
IE	Package, show
IF	Package, flow
JC	Jerrican, rectangular A rigid rectangular container with a lid which is usually used for the storage and movement of oil, gasoline, etc.
JG	Jug A container used for storing and pouring the goods.
JR	Jar GS1 Description: A container made of glass, stone, earthenware or plastic with a large opening, which is used to store products, e.g. jams, cosmetics.
JT	Jutebag A bag made of strong fibres.

Used Codes

JY	Jerrican, cylindrical A rigid cylindrical container with a lid which is usually used for the storage and movement of oil, gasoline, etc.
LAB	Labeled package (GS1 Temporary Code) The package is labeled. Usually the label identifies the name, brand or description of the product within the package.
LG	Log
MPE	Multipack (GS1 Temporary Code) A container for the merchandising of multiple units of the same product.
NE	Unpacked or unpackaged A product merchandised or sold without packaging.
NU	Net, tube, plastic
NV	Net, tube, textile
OA	Pallet, CHEP 40 cm X 60 cm CHEP standard pallet of dimension 40 centimeters X 60 centimeters.
OB	Pallet, CHEP 80 cm X 120 cm CHEP standard pallet of dimension 80 centimeters X 120 centimeters
OC	Pallet, CHEP 100 cm X 120 cm CHEP standard pallet of dimension 100 centimeters X 120 centimeters
OD	Pallet, AS 4068-1993 Australian standard Pallet of dimensions 115.5 centimeters X 116.5 centimeters
OE	Pallet, ISO T11 ISO standard pallet of dimensions 110 centimeters x110 centimeters, prevalent in Asia – Pacific region.
OF	Platform, unspecified weight or dimension A pallet equivalent shipping platform of unknown dimensions or unknown weight.
OPE	Oxygen packed (GS1 Temporary Code) A package with oxygen added for storage purposes.
PA	Packet Package type used for the smallest trade unit, e.g., a packet of 20 cigarettes, a packet of potato chips.
PAE	Paper (GS1 Temporary Code) An indication that the item(s) is packed in paper.
PB	Pallet, box
PC	Parcel A small wrapped package.

Used Codes

PD	Pallet, modular, collars 80cms * 100cms
PE	Pallet, modular, collars 80cms * 120cms
PG	Plate A smooth flat thin piece of metal, e.g. steel plate.
PJ	Punnet EDIFACT
PK	Package A wrapped or boxed item.
PL	Pail GS1 Description: An open-topped container usually made of metal or plastic, generally used to carry liquids.
PLP	Peel pack (GS1 Temporary Code) A package used for sterile products which may be torn open without touching the product inside.
PO	Pouch A small bag or sack.
POP	Cone shaped paper wrapper (GS1 Temporary Code) Cone shaped paper wrapping e.g. for an individually packed ice cream cone.
PPE	Polypropylene bag (GS1 Temporary Code) A bag made from polypropylene.
PU	Tray A board with a ring for carrying small articles.
PUE	Tray packed in plastic (GS1 Temporary Code) A board with a ring packed in plastic carrying for small articles.
PUN	Punnet (GS1 Temporary Code) A small shallow basket usually made of plastic.
PX	Pallet
RB1	A wheeled pallet with raised rim (GS1 Temporary Code). 81 x 67 x 135 cm (length x width x height). A wheeled pallet with raised rim for the storing and transporting of loads. Dimensions: 81 x 67 x 135 cm (length x width x height).
RB2	A Wheeled pallet with raised rim (GS1 Temporary Code). 81 x 72 x 135 cm (length x width x height). A wheeled pallet with raised rim for the storing and transporting of loads. Dimensions: 81 x 72 x 135 cm (length x width x height).
RB3	Wheeled pallet with raised rim. 81 x 60 x 16 cm (length x width x height). (GS1 Temporary Code) A wheeled pallet with raised rim for the storing and transporting of loads. Dimensions: 81 x 60 x 16 cm (length x width x height).

Used Codes

RCB	Two sided cage on wheels with fixing strap (GS1 Temporary Code) 900 x 770 x 1513 cm (length x width x height) A two sided cage mounted on wheels with fixing strap. Dimensions: 900 x 770 x 1513 cm (length x width x height).
RG	Ring A hollow circular band of material wound around itself.
RJ	Rack, clothing hanger
RL	Reel A spool on which thread, wire, film, etc, is wound.
RO	Roll A package of goods wound into a ball or cylinder.
SA	Sack A large bag of coarse cloth for storing or moving grain, foodstuffs, etc.
SEC	Article Surveillance (GS1 Temporary Code) Equipped with article surveillance.
SH	Sachet A small sealed envelope.
SL	Slipsheet A firm sheet of plastic, cardboard or other material which may be hooked or attached to a forklift or other transportation equipment. The slipsheet is used to pull products stacked on top of it.
SO	Spool Any cylindrical piece on which something is wound.
SP	Sheet, plastic wrapping EDIFACT
STL	Stick (GS1 Temporary Code) A container for dispensing solid substances, e.g. glue, deodorant.
SW	Shrinkwrapped A transport unit load whose contents are secured together through the use of transparent or semi-transparent filmwrap.
SX	Set
T1	Tablet A loose or unpacked article in the form of a bar, block or piece. EDIFACT
TAE	Tablet (GS1 Temporary Code) A small rectangular package of aluminium foil or paper, e.g. a tablet of chocolate.
TB	Tub A round, open, flat bottomed wooden container.

Used Codes

TEV	Tamper evident package (GS1 Temporary Code) A type of package giving easy or immediate recognition that the package has been tampered with after it has been sealed.
THE	Three pack (GS1 Temporary Code) A package containing three products.
TL	Tub, with lid EDIFACT
TRE	Trolley (GS1 Temporary Code) A low cart for the transportation and storage of groceries, milk, etc.
TTE	Tube, standing (GS1 Temporary Code) A screw-topped pliable cylinder capable of standing and suitable for holding pastes or semi-liquids, e.g. a tube of toothpaste.
TU	Tube A screw-topped pliable cylinder suitable for holding pastes or semi-liquids, e.g. a tube of toothpaste.
TV	Tube, with nozzle
TWE	Two pack (GS1 Temporary Code) A package containing two products.
TY	Tank, cylindrical A cylindrical container suitable for the storage or transportation of liquids or gases.
UUE	Tube net (GS1 Temporary Code) A plastic or textile tube suitable for carrying loose products, e.g. fruit.
UVQ	Wrapped in plastic sheet (GS1 Temporary Code) An indication that the items have been wrapped in plastic sheet.
VI	Vial Small (usually glass) container. E.g. for a liquid medicine or perfume.
VP	Vacuumpacked A package from which all air has been removed in order to keep the contents fresh.
WRP	Wrapper (GS1 Temporary Code) Wrapping e.g. for an individually packed ice cream.
X10	Tub with lid (GS1 Temporary Code) A small, usually plastic, container with a lid for food, e.g. ice cream.
X11	Banded package (GS1 Temporary Code) A package with bands, usually metal or nylon, round it to hold the products together.

Used Codes

X12	Cardboard package with grip holes for bottles (GS1 Temporary Code) Cardboard package with a number of holes. Each hole is to be gripped tightly around the neck of a bottle.
X14	Card (GS1 Temporary Code) A flat package usually made of fibreboard from/to which the product is often hung or attached.
X15	Oneway pallet ISO 0 - 1/2 EURO Pallet (GS1 Temporary Code) Oneway pallet with dimensions 80 X 60 cm.
X16	Oneway pallet ISO 1 - 1/1 EURO Pallet (GS1 Temporary Code) Oneway pallet with dimensions 80 X 120 cm.
X17	Pallet with exceptional dimensions (GS1 Temporary Code) Pallet with non-standard dimensions.
X18	Parcel with exceptional dimensions (GS1 Temporary Code) Parcel with non-standard dimensions.
X3	Standard stack of stones (GS1 Temporary Code) Standard stack of stones.
X9	Pallet 100 X 110 cm (GS1 Temporary Code) Pallet with dimensions 100 X 110 cm.
7073	Packaging terms and conditions code Code specifying the packaging terms and conditions.
1	Packaging cost paid by supplier The cost of packaging is paid by the supplier.
2	Packaging cost paid by recipient The cost of packaging is paid by the recipient.
3	Packaging cost not charged (returnable) There is no charge for packaging because it is returnable.
24	Rented The package has been, or will be, rented. EDIFACT
25	Safe return deposit A deposit paid to guarantee the safe return of the package.
26	Not reusable The package is not reusable. GS1 Description: The equipment may only be used once and is not reusable for the purpose for which it was designed.
27	Package exchangeable at the point of delivery The package may be exchanged at the point of delivery.

Used Codes

29	Labeled The package is labeled. EDIFACT
1E	Unpack from (GS1 Temporary Code) Code identifying that goods should be unpacked from the identified package.
2E	Repack in (GS1 Temporary Code) Code identifying that goods should be repacked from the identified package.
3E	Pack in (GS1 Temporary Code) Code identifying that goods should be packed from the identified package.
4E	Rented (GS1 Temporary Code) The package has been/will be rented from a rental agency (e.g. CHEP pallets).
LAB	Labeled (GS1 Temporary Code) The package is labeled.
X11	Packaging recycling fee paid by supplier (GS1 Temporary Code) The fee for recycling packaging is paid by the supplier.
XX1	Exchange Pallets (GS1 Temporary Code)
XX2	Return Pallets (GS1 Temporary Code)
XX3	Pallet - Third Party Exchange (GS1 Temporary Code)
XX4	No Exchange / No Return Pallet (GS1 Temporary Code)
7077	Description format code Code specifying the format of a description.
A	Free-form long description Long description of an item in free form.
B	Code and text Description of an item in coded and free form text.
C	Code (from industry code list) Description of an item in coded format. GS1 Description: Description of an item provided in coded format from an industry list.
D	Free-form price look up Price look-up description of a product for point of sale receipts.
E	Free-form short description Short description of an item in free form.
F	Free-form Description of an item in free form text. GS1 Description: Item related general free form text description, which is neither a short or long description of the item itself.

Used Codes

S	Structured (from industry code list) Description of an item in a structured format.
7143	Item type identification code Coded identification of an item type.
AC	HIBC (Health Industry Bar Code) Article identifier used within health sector to indicate data used conforms to HIBC.
IN	Buyer's item number The item number has been allocated by the buyer.
NB	Batch number The item number is a batch number. GS1 Description: Number supplementing the identification code of a product used to identify the specific production place and/or time of a product.
PZN	= Pharma Zentral Nummer (central allocated article number for pharma products)
SA	Supplier's article number Number assigned to an article by the supplier of that article.
SRV	GS1 Global Trade Item Number A unique number, up to 14-digits, assigned according to the numbering structure of the GS1 system. 'GS1' stands for the 'Global Standards One'.
7233	Packaging related description code Code specifying information related to packaging.
1	Product ingredients not marked on package The ingredients of the product are not marked on the packaging of the product.
2	Product price not marked on packaging The product price is not marked on the packaging of the product.
3	Product best before date not marked on product package The product best before date is not marked on the packaging of the product.
4	Package not marked recyclable Package is not marked as recyclable.
5	Promotional details marked A code indicating that promotional details have been marked on the package.
7	Sell-by date marked on package The package is marked with the last date on which the item may be sold.
8	Use-by date marked on package The package is marked with the last date on which the item may be used.

Used Codes

9	<p>Packaging / manufacturing date marked on package</p> <p>The package is marked with the date of the packaging or manufacturing of the item.</p>
10	<p>No freshness date marked on package</p> <p>Package is not marked with any kind of date indicating freshness, such as use-by, best before or packaging date.</p>
31	<p>Package best before date marked</p> <p>Package is marked with the product best before date.</p>
32	<p>Package marked recyclable</p> <p>The package is marked recyclable.</p>
33	<p>Package marked returnable</p> <p>The package is marked returnable.</p>
50	<p>Package barcoded EAN-13 or EAN-8</p> <p>The package is barcoded with EAN-13 or EAN-8 code.</p>
51	<p>Package barcoded ITF-14</p> <p>The package is barcoded with ITF-14 code.</p>
52	<p>Package barcoded UCC or EAN-128</p> <p>The package is barcoded with UCC or EAN-128 code.</p>
53	<p>Package price marked</p> <p>The package is marked with the price.</p>
54	<p>Product ingredients marked on package</p> <p>The ingredients of the product contained in a package are marked on that package.</p>
64	<p>Package never EPC tagged.</p> <p>The package will never be tagged with an EPC (Electronic Product Code) transponder.</p>
65	<p>Package sometimes EPC tagged</p> <p>The package will sometimes be tagged with an EPC (Electronic Product Code) transponder.</p>
78	<p>Package bar-coded and EPC tagged</p> <p>The package is bar-coded and tagged with an EPC (Electronic Product Code) transponder.</p>
79	<p>Package EPC tagged only</p> <p>The package is tagged with an EPC (Electronic Product Code) transponder only.</p>
80	<p>Marked with "display until date"</p> <p>Package is marked with the date by which the product should be removed from the display location.</p>
81	<p>Package marked with a variable measure barcode</p> <p>The package is marked with a variable measure barcode.</p>

Used Codes

82	Package marked with fixed measure barcode The package is marked with a fixed measure barcode.
LAB	Labeled according to General GS1 Specifications for clothing and fashion accessories (GS1 Temporary Code) The item is labeled according to the General GS1 Specifications for clothing and fashion accessories.
NAB	Not labeled acc. to GS1 (GS1 Temporary Code) Specifications for clothes and fashion accessoires
NBR	Not barcoded (GS1 Temporary Code) The package is not barcoded.
RL1	Peg hole round 1 (GS1 Temporary Code) The item's packaging has a round peg hole. (European norm DIN EN 13010:2003 (substitute for DIN 55512-1:1984-12))
SL1	Peg hole slot hole 1 (GS1 Temporary Code) The item's packaging has a slot peg hole of type 1. (European norm DIN EN 13010:2003 (substitute for DIN 55512-1:1984-12))
SL3	Peg hole slot hole 3 (GS1 Temporary Code) The item's packaging has a slot peg hole of type 3. (European norm DIN EN 13010:2003 (substitute for DIN 55512-1:1984-12))
X01	Composite Component A (GS1 Temporary Code)
X02	Composite Component B (GS1 Temporary Code)
X03	Composite Component C (GS1 Temporary Code)
X04	RSS-14 (GS1 Temporary Code)
X05	RSS-14 Stacked (GS1 Temporary Code)
X06	RSS-14 Staked omnidirectional (GS1 Temporary Code)
X07	RSS-14 Truncated (GS1 Temporary Code)
X08	RSS expanded (GS1 Temporary Code)
X09	RSS expanded truncated (GS1 Temporary Code)
X10	RSS limited (GS1 Temporary Code)
X11	UPC A symbol (GS1 Temporary Code)
X12	UPC E Symbol (GS1 Temporary Code)
X13	EANUCC 14 Symbol (GS1 Temporary Code)
X14	Package not marked returnable (GS1 Temporary Code) Trade item has no returnable packaging.
X15	Gift wrapping (GS1 Temporary Code) Trade item is packaged in a gift wrapping.

Used Codes

X16	Greeting card (GS1 Temporary Code) Trade item is accompanied by a greeting card.
7405	Object identification code qualifier Code qualifying the identification of an object.
BJ	Serial shipping container code GS1 Description: A single unique serial number which identifies shipping containers or shipping packages.

Example

UNA:+.?'

The UNA segment contains the default service string characters.

UNB+UNOC:3+4012345000009:14:4012345000018+4000004000002:14:4000004000099+101013:1043+4711+REF:AA++++EANCOM+1'

The EANCOM file 4711 dated 13.10.2016, 10 h 43 is sent by the issuer identified with GLN 4012345000009 to the receiver identified with GLN 4000004000002.

UNH+ME000001+DESADV:D:01B:UN:EAN007'

The reference number of the DESADV message is ME000001..

BGM+351+87441+9'

The document number is 87441.

DTM+137:20160823:102'

The document date is the 23th of August 2016.

DTM+11:20160823:102'

The despatch date is the 23th of August 2016.

The despatch date is the 23th of August 2016, 8 o'clock.

RFF+ON:4711'

The message references to buyers order number 4711.

RFF+VN:4712'

The message references to suppliers order number 4712.

RFF+DQ:3546'

The message references to delivery note number 3546.

NAD+BY+4398765000004::9+X:X:X:X:X+Käufer/Rechnungsempfänger-Name 1:Käufer-Name 2:Käufer-Name 3:Käufer-Name 4:Käufer-Name 5+Käufer/Rechnungsempfänger-Straße/Postfach1:Käufer-Straße/Postfach2:Käufer-Straße/Postfach3:Käufer-Straße/Postfach4+Käufer-Ort+Käufer-Region/Bundesland+Käuferr-Postleitzahl+Käufer-Land'

The order is generated by a buyer with the Global Location Number (GLN) 4398765000004.

CTA+PD+NEUROLOGIE:Herr Schmidt'

Purchasing contact person is Mr. Schmidt

NAD+IV+4012345000009::9+X:X:X:X:X+Herr Max Mustermann+Musterstrasse 15+Musterhausen++55555+DE'

The invoicee is identified by Global Location Number (GLN) 4012345000009.

NAD+DP+4399899175941::9++Tante:Emma:Laden+Maarweg 104+Köln++50825+DE'

The receiver is identified by Global Location Number (GLN) 4399899175941. An address in clear text is only allowed in exceptional cases.

The delivery party is identified by GLN 4399899175941.

The delivery party is Tante Emma Laden, Maarweg 104, 50825 Köln.

CTA+CN+NEUROLOGIE:HERR MEIER'

Contact person is HERR MEIER.

CTA+OC+Auftragswesen:Herr Schmidt'

Contact person is Mr Schmidt.

NAD+SU+4389876511113::9+X:X:X:X:X+Lieferanten-Name 1:Lieferanten-Name 2:Lieferanten-Name 3:Lieferanten-Name 4:Lieferanten-Name 5+Lieferanten-Straße/Postfach1:Lieferanten-Straße/Postfach2:Lieferanten-Straße/Postfach3:

Example

Lieferanten-Straße/Postfach4+Lieferanten-Ort+NRW+50825+DE'

The supplier is identified by GLN 4389876511113.

CPS+1'

Sequence number one.

PAC+10+:52+201::9'

10 Pallets ISO 1 - 1/1 EURO Pallet

MEA+PD+AAD+KGM:10'

The gross weight is 10 kg.

MEA+PD+AAW+MTQ:15'

The gross volume is 1 cubic metre.

CPS+2+1'

Sequence number two.

PAC+1+:52:27+201::9'

This consignment line contains 1 EURO pallet.

MEA+PD+LAY+PCE:3'

The sandwich pallet has 3 layers.

MEA+PD+AAB+KGM:5'

The gross weight is 5 kg.

MEA+PD+AAW+LTR:1'

The gross volume is 1 cubic metre.

MEA+PD+HT+MMT:1050'

The total height is 1050 mm

HAN+CRU::9'

Packaging is crushable

PCI+33E'

Package identification

GIN+BJ+340123450000000014'

The SSCC is 340123450000000014

CPS+3+2'

Sequence number three.

PAC+1+:52:27+201::9'

This consignment line contains 1 EURO pallet.

MEA+PD+LAY+PCE:3'

The sandwich pallet has 3 layers.

MEA+PD+AAB+KGM:5'

The gross weight is 5 kg.

MEA+PD+AAW+LTR:1'

The gross volume is 1 cubic metre.

MEA+PD+HT+MMT:1050'

The total height is 1050 mm

MEA+PD+AAD+KGM:10'

The gross weight is 10 kg.

PCI+33E'

Example

Package identification

GIN+BJ+340123450000000014'

The SSCC is 340123450000000014

LIN+1++4000004000033:SRV'

The ordered item with the item number 1 is identified by GTIN 4000004000035.

PIA+1+1500549:PZN: :246'

The additional article identification is PZN "1500549".

PIA+1+ABC5343:SA'

The additional article identification is suppliers article number "ABC5343".

PIA+1+4000862141664:AC'

The additional article identification is HIBC "4000862141664".

PIA+1+ABC5343:IN'

The additional article identification is buyers article number "ABC5343".

PIA+1+BA2013-123:NB'

The additional article identification is Batch number "BA2013-123".

QTY+12:20'

The ordered quantity amounts to 20 pieces of the article no. described in the LIN segment. (GTIN).

DTM+36:20161026:102'

This example shows the expiry date on 26th of October 2016.

MOA+203:66'

The line item amount is 66 EURO.

RFF+SNR:4711:1'

The message references to buyers order number 4711, line 1.

LIN+2'

Line number = 2

PIA+5+1500549:PZN: :246'

The PZN is used for primary identification.

QTY+12:20'

The ordered quantity amounts to 20 pieces of the article no. described in the LIN segment. (GTIN).

LIN+3'

Line number = 3

PIA+5+ABC1234:SA'

The suppliers article number is used for primary identification.

QTY+12:20'

The ordered quantity amounts to 20 pieces of the article no. described in the LIN segment. (GTIN).

LIN+4'

Line number = 4

PIA+5+DEFG789:IN'

The buyers article number is used for primary identification.

QTY+12:20'

Example

The ordered quantity amounts to 20 pieces of the article no. described in the LIN segment. (GTIN).

LIN+5'

Line number = 5

PIA+5+1500549:PZN::246'

The PZN is used for primary identification.

PIA+1+ABC1234:SA'

The suppliers article number is used for primary identification.

PIA+1+ABC5343:IN'

The example shows the use of buyers article number as additional article identification.

PIA+1+4000862141664:AC'

The additional article identification is HIBC "4000862141664".

QTY+12:20'

The ordered quantity amounts to 20 pieces of the article no. described in the LIN segment. (GTIN).

LIN+1++4000004000033:SRV'

The ordered item with the item number 1 is identified by GTIN 4000004000035.

PIA+1+1500549:PZN::246'

The additional article identification is PZN "1500549".

PIA+1+ABC1234:SA'

The additional article identification is suppliers article number "ABC5343".

PIA+1+4000862141664:AC'

The additional article identification is HIBC "4000862141664".

PIA+1+ABC5343:IN'

The example shows the use of buyers article number as additional article identification.

QTY+12:20'

The ordered quantity amounts to 20 pieces of the article no. described in the LIN segment. (GTIN).

MOA+203:66'

The line item amount is 66 EURO.

QVR+-4:21+BP'

The quantity difference is 4 units.

UNT+70+ME000001'

The message contains 70 segments.

UNZ+1+4711'

The transmission file contains 1 message.
